



PTO-X DRIVEN - GRASS COLLECTION SYSTEM

Model# 56651201, 56651202 & 56651203

RT & SRT Series

54", 61" & 72" DECKS

Model Year:

2018 - Newer



OPERATOR'S MANUAL

ASSEMBLY • OPERATION • MAINTENANCE

GRASS COLLECTION SYSTEM

TABLE OF CONTENTS

SECTION	PAGE	SECTION	PAGE
Safety	2	Boot Kit Assembly & Installation	26-27
Safety Alert Symbols	3	Length of Hose Adjustment	28
Warranty	4	Upper Hose Installation	28
I INTRODUCTION AND DESCRIPTION	5	Lower Hose to Blower Cone Installation	28
Introduction	5	Lower Hose to Boot Installation	28
Description	5	Wire Harness Installation	29-31
II INSTALLATION FOR USE	6	Impeller Blade Removal/Replacement	32
Preparation Of Mower	6-10	Weight Kit Installation	33
Side Frame Bracket Installation	10	Exploded Views & Parts List	34-46
Rear Frame Bracket Installation	11	Overall Parts List	47-50
Frame Connector Installation	12	Safety Decals	51
Exhaust Diverter Installation	12	III OPERATING INSTRUCTIONS	52
Main Frame Leg Installation	13	General Safety	52
Main Frame Assembly Installation	13	Operation & Tips On Mowing	52
Frame Spacer Kit Installation	14	Disengagement Of The PTO Assembly	52
Top & Bottom Bracket / Mount Arm Installation	15	Unloading The Collection System	52
Mount Arm / Gusset Installation	15	IV MAINTENANCE	52
Mount Arm / Tube Assembly Installation	16	Maintenance Checklist	52-53
PTO Drive Assembly	17-18	Lubrication	53
Drive Assembly & Belt Installation	19	V PARTS AND SERVICE	53
Belt Tension Adjustment	20-22	Parts And Service Information	53
Lift Handle Installation	23	Torque Specifications	54
Aluminum Box Assembly Installation	24	Troubleshooting	55
Dump Mechanism Adjustment	24		
Inlet, Inlet Ring & Debris Deflector Installation	25		
Blower Cone Installation	26		

SAFETY

1. Read the operator's manual carefully and familiarize yourself with the proper use of your attachment. Do not allow anyone who is not acquainted with the Safety Instructions to use your attachment.
2. Know the controls and how to stop them quickly. READ THE OPERATOR'S MANUAL!
3. Do not allow children to operate the machine. Do not allow adults to operate it without proper instruction.
4. Be especially watchful of children and pets entering into the area while operating.
5. Keep your eyes and mind on your machine while mowing or operating your attachment. Don't let others distract you.
6. Do not attempt to operate your machine when not in the driver's seat.
7. Always shut off blades and engine when emptying the container.
8. Stop machine, shut off deck attachment, set parking brake, shut off engine and remove ignition key before removing clogs, removing or replacing hose, boot, blower cone, or performing any maintenance.
9. Mow across the face of slopes (not more than 10 degrees); never up and down the face.
10. It is recommended that the container be emptied when half full while operating on slopes. Start mowing on slopes when the container is empty.
11. Inspect your lawn and remove any foreign objects before mowing. Never deliberately run the mower across any foreign object.
12. Wear hearing protection.
13. Wear eye protection to prevent debris from getting into your eyes.

SAFETY

WARNING! NEVER operate the mower unless the discharge guard and either the deflector assembly or the vacuum collector adapter are fastened securely in place.

WARNING! Do not work around the mower deck boot or the blower area until you are certain that the mower blades and the blower impeller have stopped rotating.

WARNING! To avoid serious injury, perform maintenance on the vacuum collector; **ONLY AFTER STOPPING THE MOWER'S ENGINE AND WAITING FOR ALL MOVING PARTS TO COME TO A COMPLETE STOP.** Set the parking brake. Always remove the ignition key before beginning maintenance.

WARNING! For your own personal safety, **ALWAYS mow ACROSS the face of slopes and NEVER UP and DOWN the face. NEVER attempt to mow excessively steep slopes, and use caution when turning on any slope.**

Safety Alert Symbol



This Safety Alert Symbol means: **“ATTENTION! BECOME ALERT! YOUR SAFETY IS INVOLVED!”**

This symbol is used to call attention to safety precautions that should be followed by the operator to avoid accidents. When you see this symbol, carefully read the message that follows and heed its advice. Failure to comply with safety precautions could result in death or serious bodily injury.

Safety Signs

The signal words **DANGER**, **WARNING**, and **CAUTION** are used on the equipment safety signs. These words are intended to alert the viewer to the existence and the degree of hazard seriousness.



White letters on **RED**

This signal word indicates a potentially hazardous situation which, if not avoided, will result in death or serious injury.



Black letters on **ORANGE**

This signal word indicates a potentially hazardous situation which, if not avoided, could result in death or serious injury.

It may also be used to alert against unsafe practices.



Black letters on **YELLOW**

This signal word indicates a potentially hazardous situation which, if not avoided, will result in minor or moderate injury.

It may also be used to alert against unsafe practices.

PECO LIMITED WARRANTY FOR NEW PRODUCTS

New PECO, Inc. extends the following warranties to the ORIGINAL PURCHASER of each New PECO, Inc. consumer product purchased from one of our Dealers or directly from New PECO, Inc., subject to the following limitations:

A. ITEMS COVERED UNDER WARRANTY

1. **PRODUCT WARRANTY** – Any part or parts which are deemed defective in material or workmanship, as delivered to the original purchaser, will either be repaired or replaced, as New PECO, Inc. elects, without charge for parts or labor, if the defect appears within 12 months from the date of purchase of the product to the Original Purchaser.
2. **PARTS REPLACED DURING WARRANTY** – Any New PECO, Inc. part which is furnished in performance of this warranty and is defective in material or workmanship as delivered to the purchaser will be repaired or replaced, as New PECO, Inc. elects, before the expiration of the original warranty period.

B. WARRANTY DISTINCTIONS

1. **RESIDENTIAL** - Products put to a personal use around a single household or residence are considered Residential. Products designated as “Residential” are warranted for 12 months from the date of purchase of the product, to the ORIGINAL PURCHASER with proof of purchase, when used for or in residential applications.
2. **COMMERCIAL** – Products put to any business use (agricultural, commercial or industrial) or used at multiple locations are considered Commercial. Products designated as “Commercial” are warranted for 12 months from the date of purchase of the product, to the ORIGINAL PURCHASER with proof of purchase, when used for or in commercial applications. Products designated as “Residential” are warranted for 90 days from the date of purchase of the product, to the ORIGINAL PURCHASER with proof of purchase, when used for or in Commercial applications.
3. **RENTAL** – Products used for Rental or Lease Purposes are warranted for 45 days from date of purchase of the product, to the ORIGINAL PURCHASER with proof of purchase, when used for or in a rental business.

C. ITEMS NOT COVERED BY NEW PECO WARRANTY

1. **ENGINES & BATTERIES:** Engines and Batteries attached to New PECO, Inc. products are covered under their respective separate manufacturer warranties and those companies must be contacted directly to file a warranty claim. Briggs & Stratton: https://www.briggsandstratton.com/na/en_us/support/warranty.html
2. **UNAPPROVED ALTERATION OR MODIFICATION:** All obligations of New PECO, Inc. under this warranty shall be terminated if products are altered or modified in any way not approved by New PECO, Inc.
3. **ACCIDENTS & NORMAL MAINTENANCE:** This warranty covers ONLY manufacturers defective material and workmanship. It does not cover depreciation or damage caused by normal wear & tear, accident, improper maintenance, misuse or abuse of products. New PECO, Inc. products must be operated and maintained in accordance with the instructions furnished in the manuals. The cost of normal maintenance and normal replacement of service items such as belts, cutting blades, hoses, bags, etc., which are not defective shall be paid for by the purchaser.
4. **NO SERVICE CENTER WARRANTY:** The selling Service Center/Dealer makes no warranty on his own on any item warranted by New PECO, Inc. unless he delivers to purchaser a separate written warranty certificate specifically warranting the item. The Service Center or Dealer has no authority to make any representation or promise on behalf of New PECO, Inc. or to modify the terms of the original warranty in any way.
5. **NO REPRESENTATIONS ADDITIONAL WARRANTIES, DISCLAIMER:** Neither New PECO, Inc. nor any company affiliated with New PECO, Inc. makes any warranties, representations or promises as to the quality of performance of its products other than those set forth herein. Except as described above, New PECO, Inc. makes no other warranties **AND SPECIFICALLY DISCLAIMS ANY AND ALL IMPLIED WARRANTIES OF FITNESS AND MERCHANTABILITY.**
6. **REMEDIED EXCLUSIVE:** The only remedies the purchaser has in connection with the breach or performance of any warranty on New PECO, Inc. consumer products are set forth above. In no event will New PECO, Inc. be liable for special incidental or consequential damages.

Warranty service is available through your local authorized service dealer or distributor. If you do not know the dealer or distributor in your area, search by your zip code on www.lawnvac.com or contact our Sales Department at New PECO, Inc. 800-438-5823 or email Sales@lawnvac.com.

Section I - INTRODUCTION AND DESCRIPTION

Introduction

We are pleased to have you as a PECO customer. Your collection system has been designed to give you a low maintenance, simple, and effective way to collect the grass clippings from your mower. This manual is provided to give you the necessary instructions to properly mount, operate and maintain the collection system on your mower. Please read this manual thoroughly. Understand what each control is for and how to use it. Observe all safety decal precautions on the machine and noted throughout the manual.

NOTE: All references made to right, left, front, rear, top or bottom are as viewed from the normal operator's position on the mower.

Description

The grass collection system is designed for turf maintenance where there is a need to collect the grass clippings as the mower cuts the turf. It is also used for picking up leaves in pre-season and post-season clean-up. The blower, mounted on the right side of the unit, uses a belt and gearbox system from the engine PTO shaft. Drive train protection comes through belt slippage. The blower draws grass clippings from the discharge area of the cutting deck back to the collection unit at the rear portion of the mower frame. The operator can engage the blower with a toggle Switch mounted on the right side of the operator. Once the collection unit is full with clippings, it can be easily released for dumping.



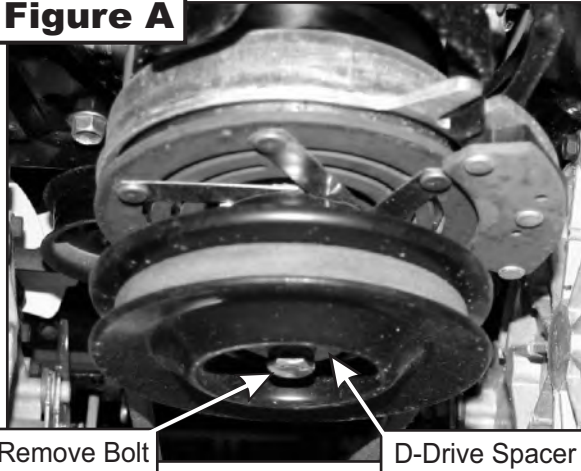
Section II - INSTALLATION FOR USE

Preparation Of Mower

NOTE: The mower deck PTO belt must be removed from the electric clutch before continuing with the installation. Refer to your mower's owner's manual for instructions on PTO belt removal.

From the underside of the engine, disconnect the wiring harness attached to the electric clutch. Remove the bolt and electric clutch from the mower. Refer to Figure A.

Figure A



Upon removal of clutch determine if your mower is equipped with a D-drive spacer. If so, then proceed to Figure B. If your mower is equipped with bolt, fender and lock washer without D-drive spacer proceed to Figure C. Remove the D-drive spacer using an arbor press or equivalent. On removal, adjacent bearing OUTER race must be supported or bearing damage may occur. Refer to Figure B.

Figure B

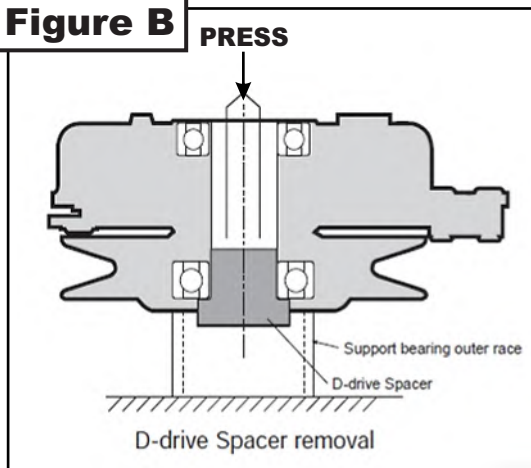
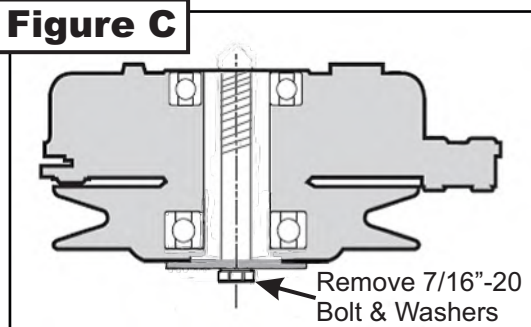
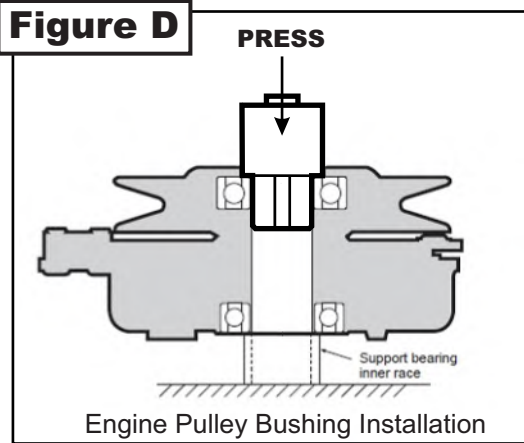


Figure C



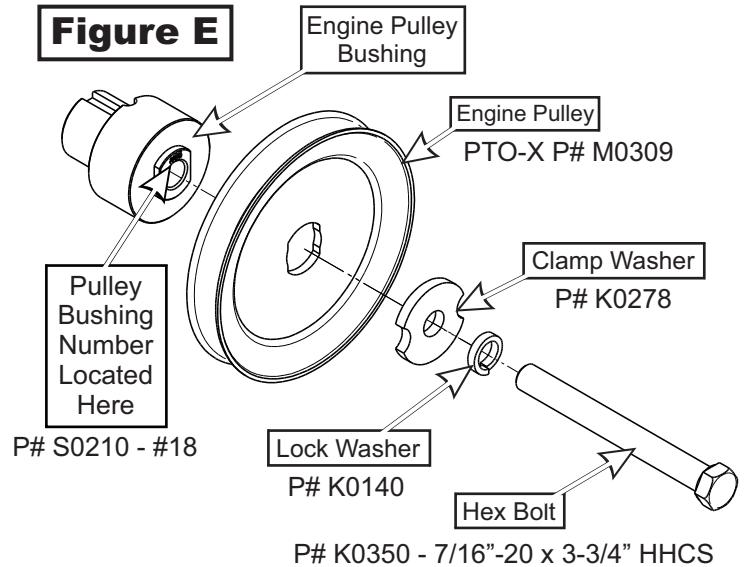
The engine pulley assembly must be installed using an arbor press or equivalent. During installation, opposite bearing inner race must be supported or bearing damage may occur. Refer to Figure D.

Figure D



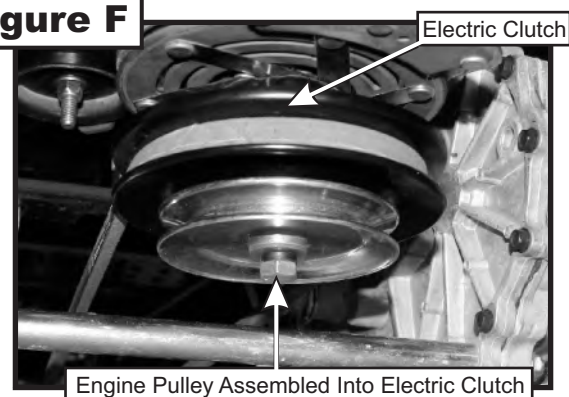
Once the Engine Pulley Bushing is installed, reattach the clutch assembly & deck PTO belt to the mower and then review Figure E.

Figure E



To assemble and fasten the Engine Pulley, align the Engine Pulley Bushing to the mower's clutch pulley and fasten using (1) Clamp Washer, (1) Lock Washer, and (1) Hex Bolt. Torque the bolt to 55 ft./lbs. The added pulley will power the collection system and should resemble Figure F when installed.

Figure F



Preparation of Mower (cont.)

Suspension Lockout

Follow the instructions in this step to perform a suspension lockout before the installation of your grass collection unit.

Note: The following instructions have been adapted from Spartan Mower's Installation Instructions: [418-0270-00](#)
Please contact Spartan Mower's for the Hardware used in these Instructions.

Hardware Used:

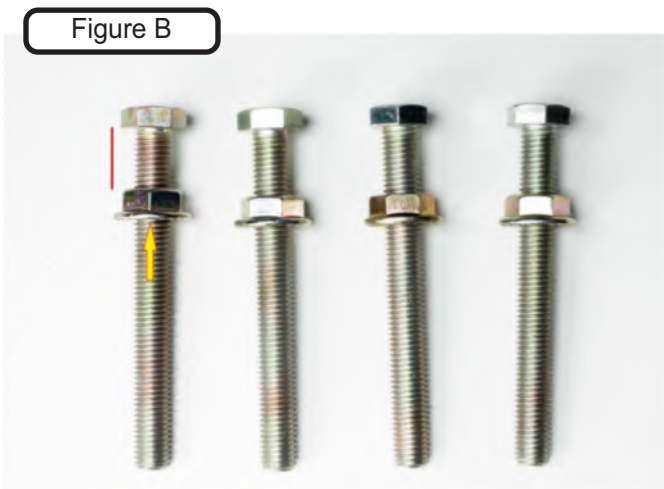


Steps

1) Lift rear of mower and install jack stands (Recommended to chock front wheels for safety). See Figure A.



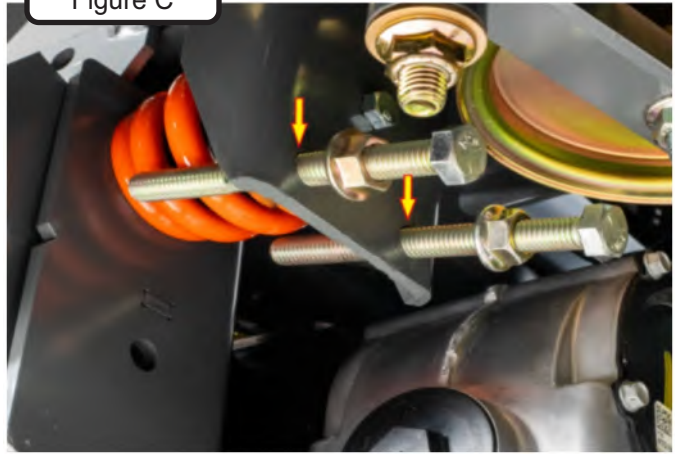
2) Install (1) 1/2" Serrated Nut backwards on all 1/2" Bolts and run it down close to the bolt heads. See Figure B.



Suspension Lockout (cont.)

3) Install (2) 1/2" Bolts through the 1/2" holes on the inside suspension brackets on each side. See Figure C.

Figure C



4) Install (1) 1/2" Serrated Nut on the 1/2" Bolts and run them down a few inches. See Figure D.

Figure D



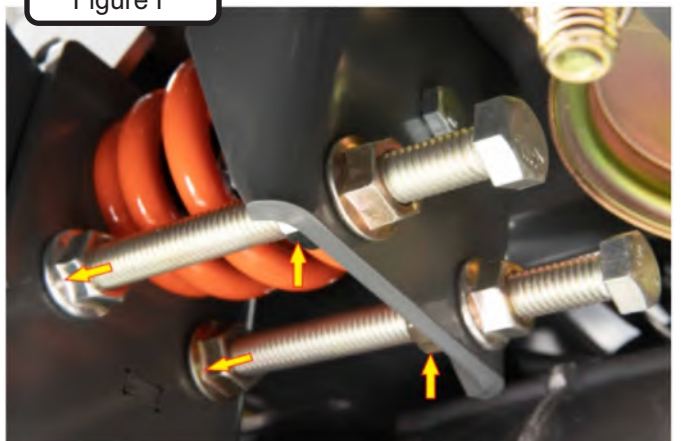
5) Install the last set of 1/2" Serrated Nuts backwards onto the each 1/2" Bolts and run them down past the end of the bolts. See Figure E.

Figure E



6) Run the middle set of Serrated Nuts down until the end of the bolts are touching the outer suspension brackets. Then turn 1/2 a turn. See Figure F.

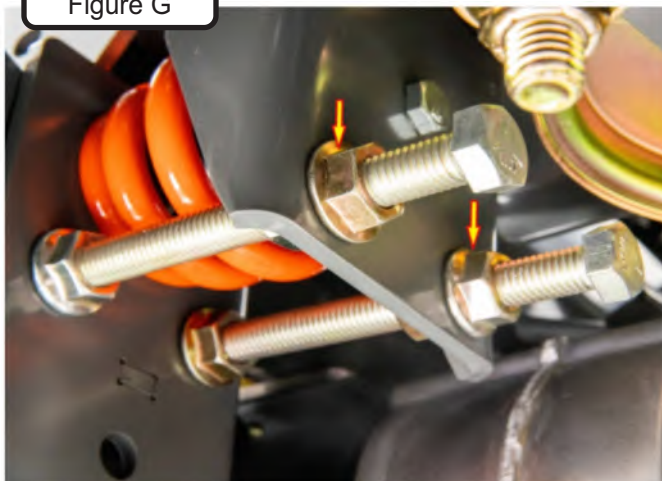
Figure F



Suspension Lockout (cont.)

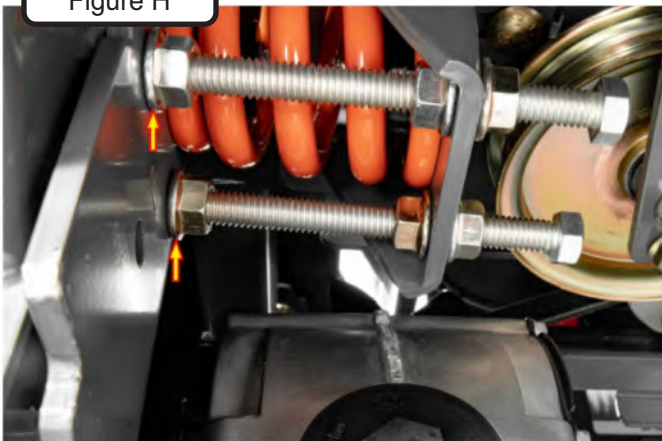
7) Run the inside set of serrated nuts up to the inside suspension brackets and tighten securely. See Figure G.

Figure G



8) Run the outside set of Serrated Nuts up against the outside suspension brackets and tighten securely. See Figure H.

Figure H



9) Lower the rear of the mower and remove the jack stands. See Figure I.

Figure I

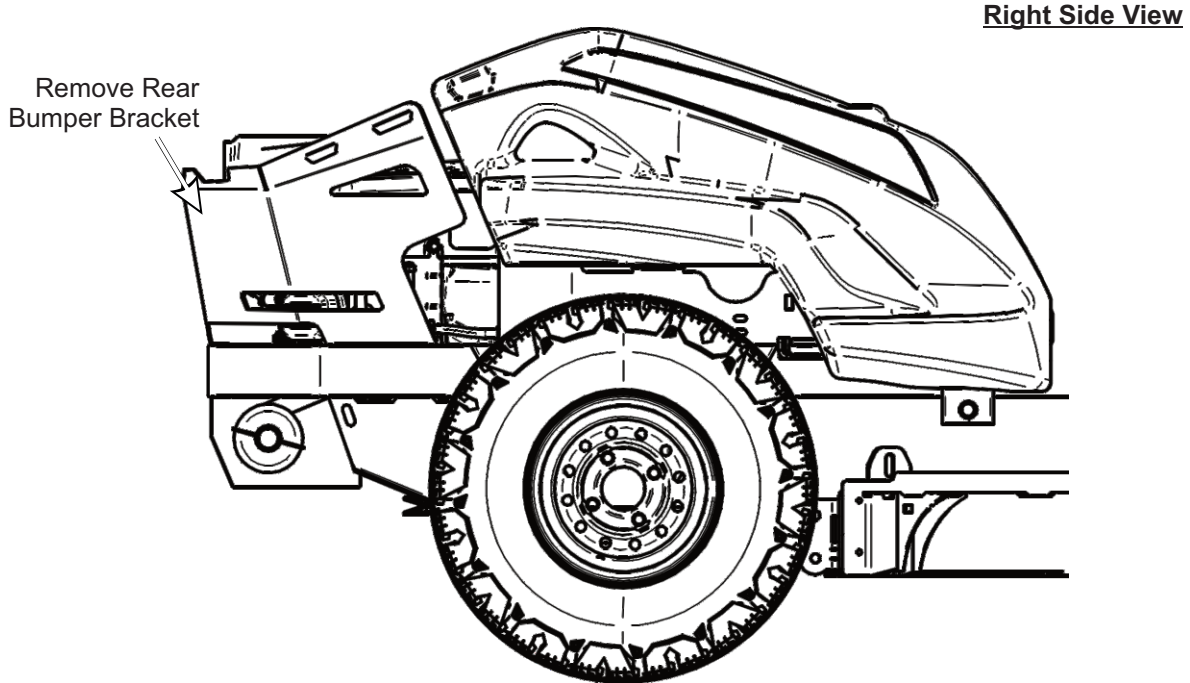


If your mower comes equipped with front suspensions, contact Spartan Mowers for more detail and information.

Preparation of Mower (cont.)

Before the installation of your grass collection unit, remove the mower's rear bumper bracket for the installation of your Collection Unit.

Note: Some parts and part features have been hidden from view for visual clarity.



Side Frame Bracket Installation

Position the Left Frame Bracket (Item #1) onto the top left side of the mower's rear frame bumper aligning the bottom mount hole to the one on top of the bumper. Refer to Figure A below. Next, Secure the Left Frame Bracket, relatively loose, by using (1) 3/8"-16 x 4" Carriage Bolt (Item #3) and (1) 3/8"-16 Ny-Flange Lock Nut (Item #4).

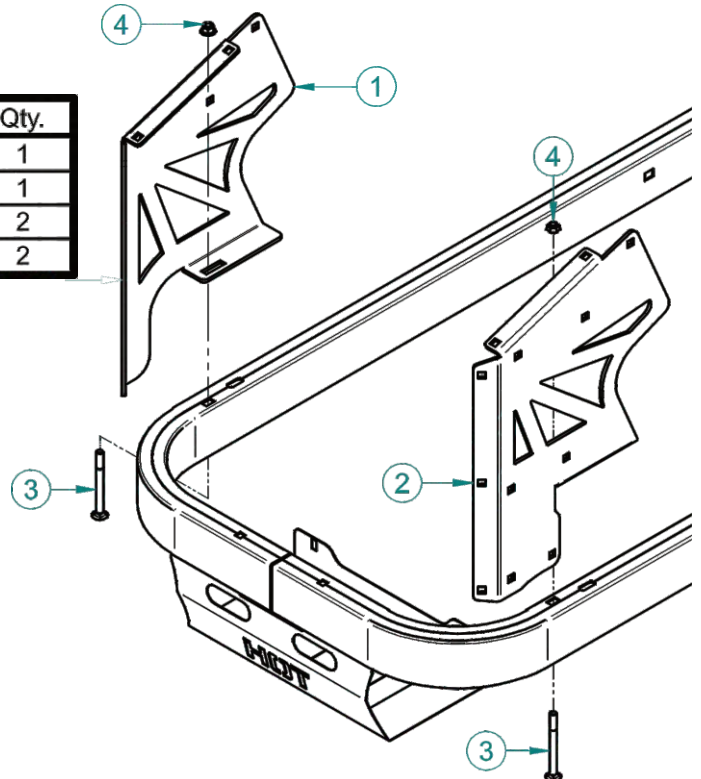
Keep all hardware secured but relatively loose until after the installation of the Frame Connectors on pg 12.

Repeat the same procedure for the Right Frame Bracket (Item #2). Keep the hardware relatively loose.

Figure A

Item #	Part #	Desc.	Qty.
1	B2028	Lt. Frame Brkt.	1
2	B2029	Rt. Frame Brkt.	1
3	K1495	3/8"-16 x 4" Carriage Bolt / GR5	2
4	K2038	Ny-Flange Lock Nut 3/8"-16	2

Note: Some parts and part features have been hidden from view for visual clarity.



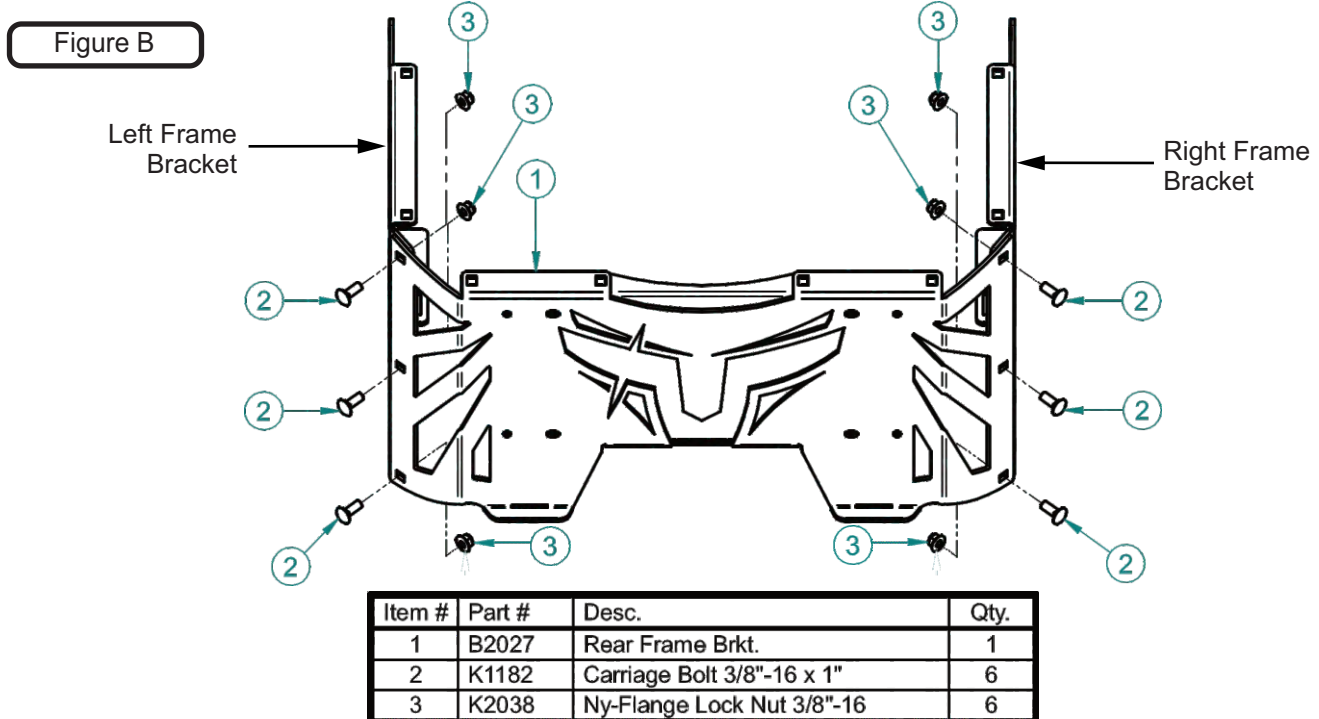
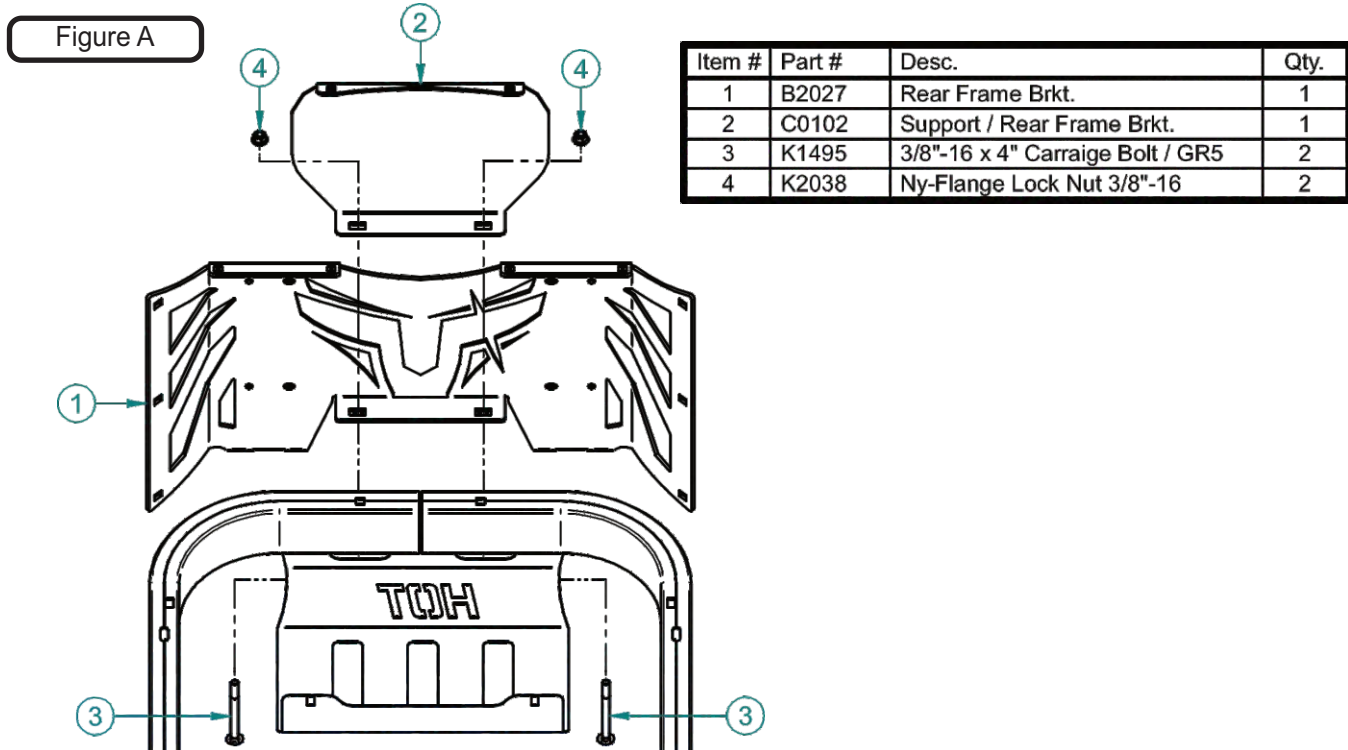
Rear Frame Bracket Installation

Position the Rear Frame Bracket (Item #1) and the Support / Rear Frame Bracket (Item #2) over the mower's bumper and align the bottom (2) bolt holes over the (2) holes of the mower's bumper. Refer to Figure A. Next, secure the Rear Frame Bracket, relatively loose, by using (2) 3/8"-16 x 4" Carriage Bolts (Item #3) and (2) 3/8"-16 Ny-Flange Lock Nuts (Item #4).

Once the Rear Frame Bracket (Item #1) is secured the Rear Frame Bracket should be aligned with both the Left & Right Frame Bracket, refer to Figure B. Secure the Rear Frame Bracket to both of these Side Frame Brackets, relatively loose, by using (3) 3/8"-16 x 1" Carriage Bolts (Item #2) and (3) 3/8"-16 Ny-Flange Lock Nuts (Item #3) PER side. Refer to Figure B.

Keep all hardware secured but relatively loose until after the installation of the Frame Connectors on pg 12.

Note: Some parts and part features have been hidden from view for visual clarity.



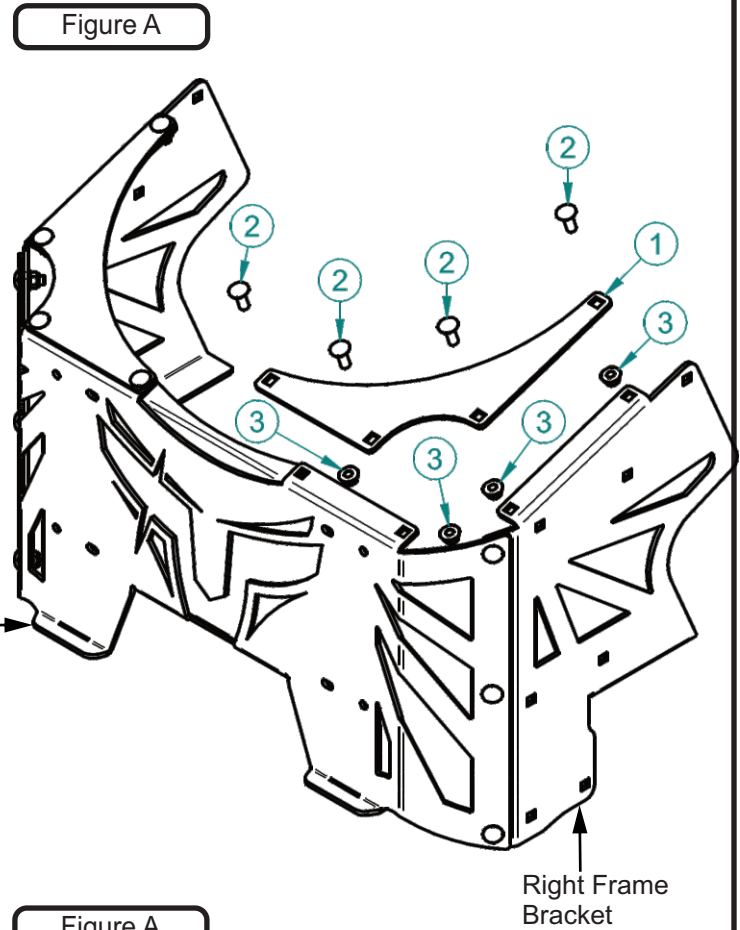
Frame Connector Installation

To install the Frame Connector (Item #1), position the Frame Connector over the Rear Frame Bracket and Right Frame Bracket aligning the bolt holes to those of the (2) Frame Brackets. Secure the Frame Connector by using (4) 3/8"-16 x 1" Carriage Bolt (Item #2) and (4) 3/8"-16 Ny-Flange Lock Nuts (Item #3). Refer to Figure A. Tighten all hardware at this time.

Note: Some parts and part features have been hidden from view for visual clarity.

Item #	Part #	Desc.	Qty.
1	B2034	Frame Connector	2
2	K1182	Carriage Bolt 3/8"-16 x 1"	8
3	K2038	Ny-Flange Lock Nut 3/8"-16	8

Rear Frame Bracket



Exhaust Diverter Installation

Depending on your mower's engine option, the Mower's Muffler Outlet can be 1-3/8", 1-1/2" or 1-3/4" outside diameter. Using a tape measure or caliper, and only when the muffler is not hot, determine the correct size. Once determined, select the proper Exhaust Diverter (Item #1) and Exhaust Clamp (Item #2) combination from the chart below. Install by sliding the corresponding Exhaust Clamp over the Exhaust Diverter and then both over the Mower's Muffler Outlet (Figure A) until seated and positioned at 45 degrees as shown in Figure B. Secure the Exhaust Diverter by tightening the Exhaust Clamp U-Bolt. Check that the Exhaust Diverter is not loose before proceeding.

Note: Some parts and part features have been hidden from view for visual clarity.

Muffler Outlet Size	Exhaust Diverter	Exhaust Clamp
1-3/8"	J0296	X1046
1-1/2"	J0296	X1064
1-3/4"	J0297	X1081

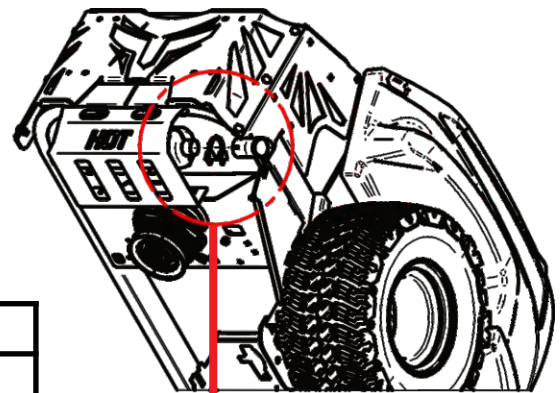
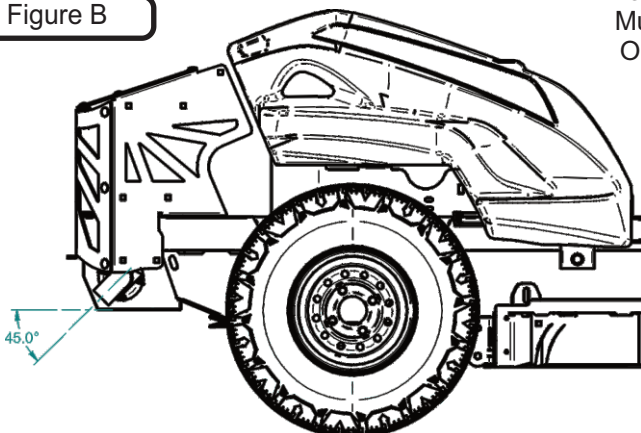
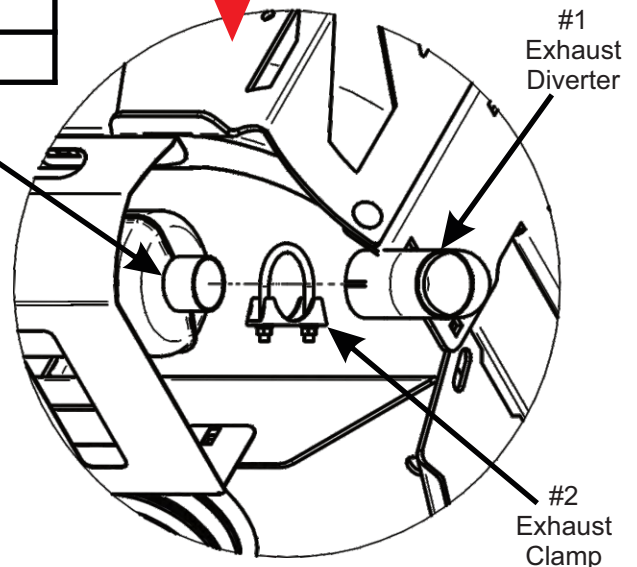


Figure B



Mower's Muffler Outlet



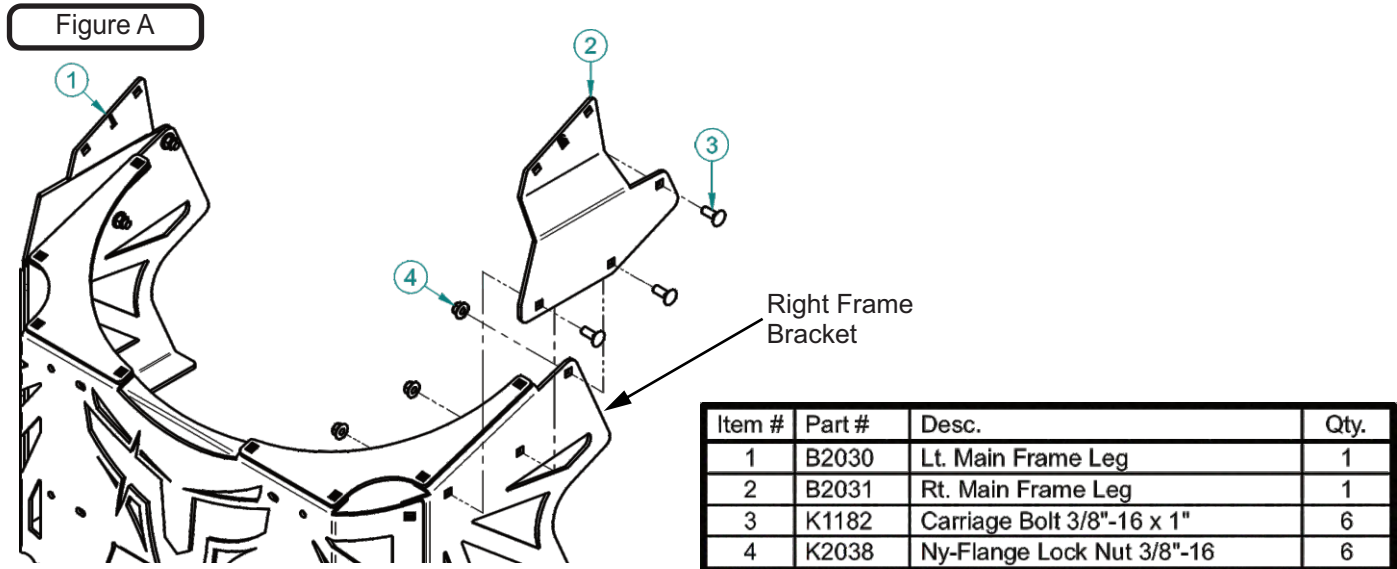
Main Frame Leg Installation

Note: Mower's equipped with the Oil Guard System would need to first install the Frame Spacer Kit P#(A2325) before proceeding with this step. See page 11 for installation instructions of the Frame Spacer Kit.

To install the Right Main Frame Leg (Item #2) position the Main Frame Leg on the outside of the Right Frame Bracket and align the lower (3) bolt holes of the Main Frame Leg to those of the Right Frame Bracket. Secure the Main Frame Leg by using (3) 3/8"-16 x 1" Carriage Bolts (Item #3) and (3) 3/8"-16 Ny-Flange Lock Nuts (Item #4).

Repeat the same procedure for the installation of the Left Main Frame Leg (Item #1).

Note: Some parts and part features have been hidden from view for visual clarity.

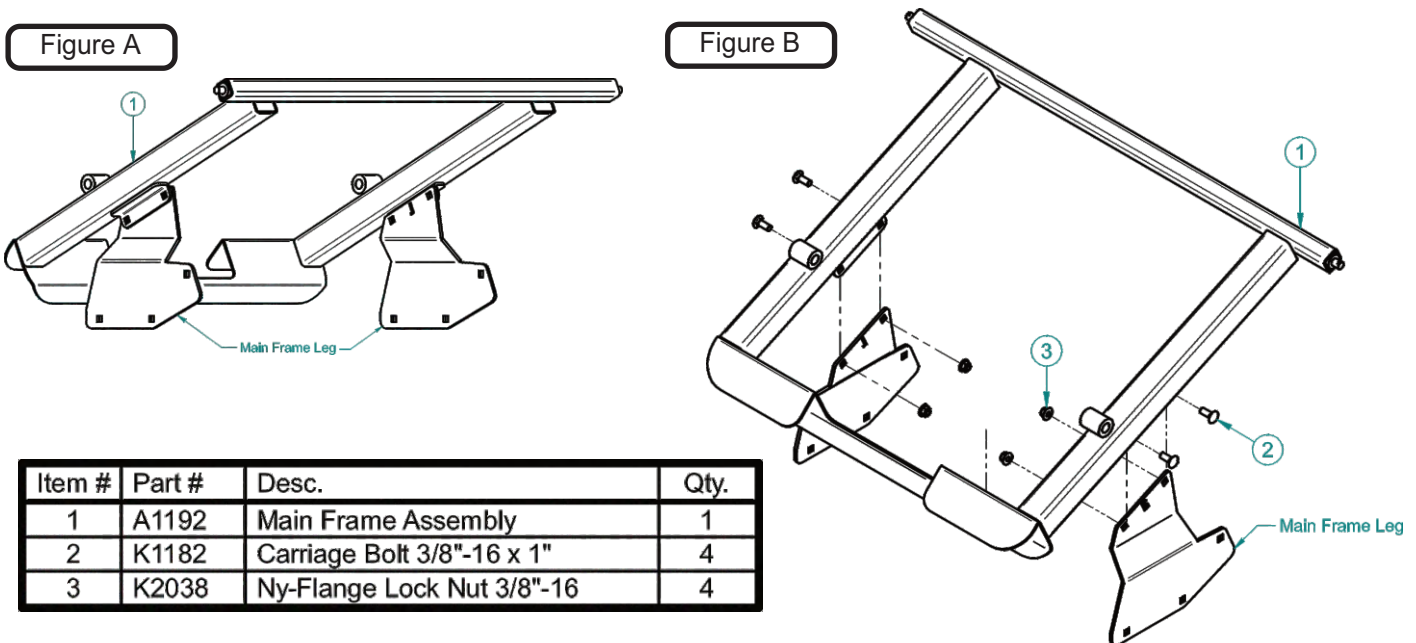


Main Frame Assembly Installation

It is recommended to have another person assist in the installation of the Main Frame Assembly (Item #1). To install the Main Frame Assy, position the Main Frame Assy so that both the Lt. and the Rt. Main Frame legs are in between the Main Frame Assy, refer to Figure A.

Next, align the bolt holes of the Main Frame Assy to the Carriage Bolt holes of either one of the Main Frame Legs. Then secure the Main Frame Assy using (2) 3/8"-16 x 1" Carriage Bolts (Item #2) and (2) 3/8"-16 Ny-Flange Lock Nuts (Item #3) PER Leg. Refer to Figure B.

Note: Some parts and part features have been hidden from view for visual clarity.



Frame Spacer Kit Installation

Note: The Frame Spacer Kit is to be installed before the Main Frame Legs. The kit will provide your collection unit the proper clearance over the Oil Guard System. The Frame Spacer Kit is only required for mower's equipped with an Oil Guard System, refer to Figure A.

To install the Right Frame Spacer (Item #2) position the Right Frame Spacer on the outside of the Right Frame Bracket and align the lower (3) bolt holes of the to those on the Right Frame Bracket. Secure the Right Frame Spacer by using (3) 3/8"-16 x 1" Carriage Bolts (Item #3) and (3) 3/8"-16 Ny-Flange Lock Nuts (Item #4). Refer to Figure B.

Repeat the same procedure for the Left Frame Spacer (Item #1).

Note: Some parts and part features have been hidden from view for visual clarity.

Figure A

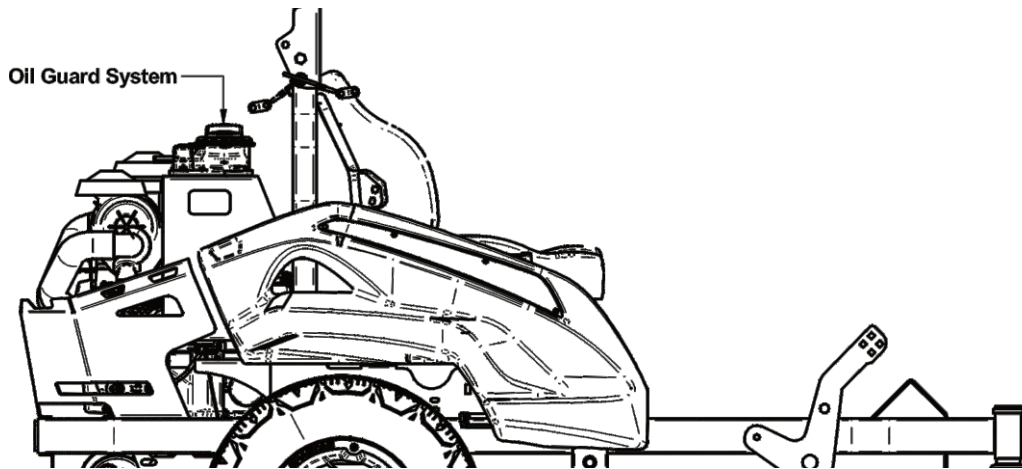
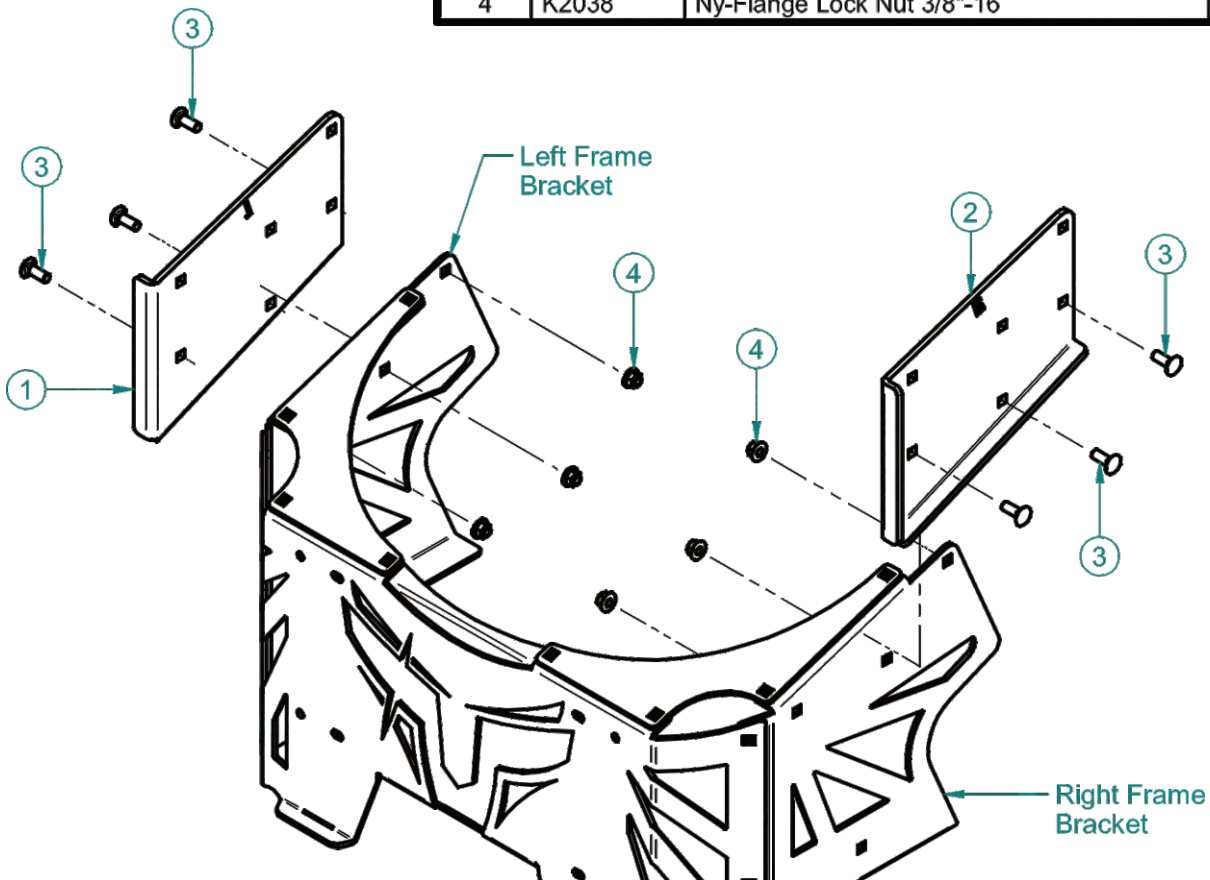


Figure B

Item #	Part #	Desc.	Qty.
1	B2053	Lt. Frame Spacer / Oil Guard	1
2	B2052	Rt. Frame Spacer / Oil Guard	1
3	K1182	Carriage Bolt 3/8"-16 x 1"	4
4	K2038	Ny-Flange Lock Nut 3/8"-16	2

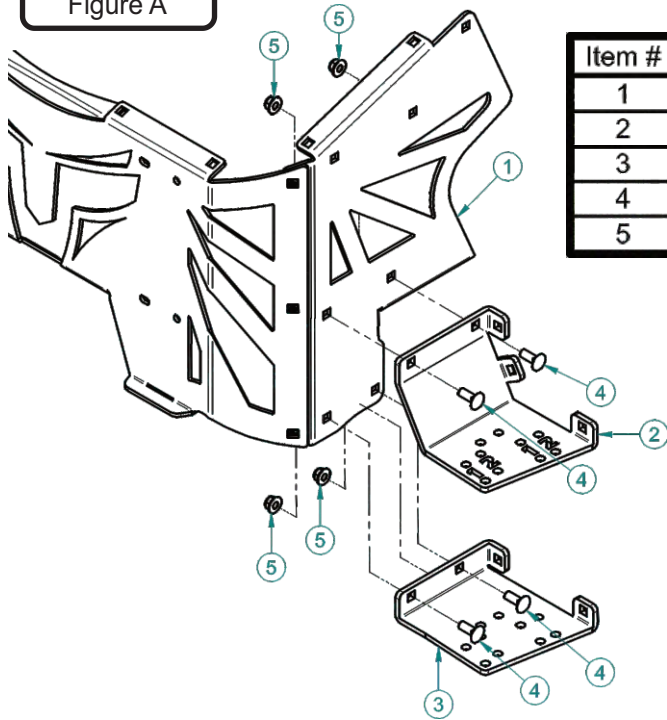


Top & Bottom Bracket / Mount Arm Installation

Install the Top Bracket / Mount Arm (Item #2) and Bottom Bracket / Mount Arm (Item #3) by positioning and aligning their rear bolt holes to those on the Right Frame Bracket (Item #1), refer to Figure A. Secure the Top Bracket & Bottom Bracket by using (2) 3/8"-16 x 1" Carriage Bolts (Item #4) and (2) 3/8"-16 Ny-Flange Lock Nuts (Item #5) PER Bracket. Refer to Figure A.

Note: Leave the Hardware relatively loose until the end.

Figure A



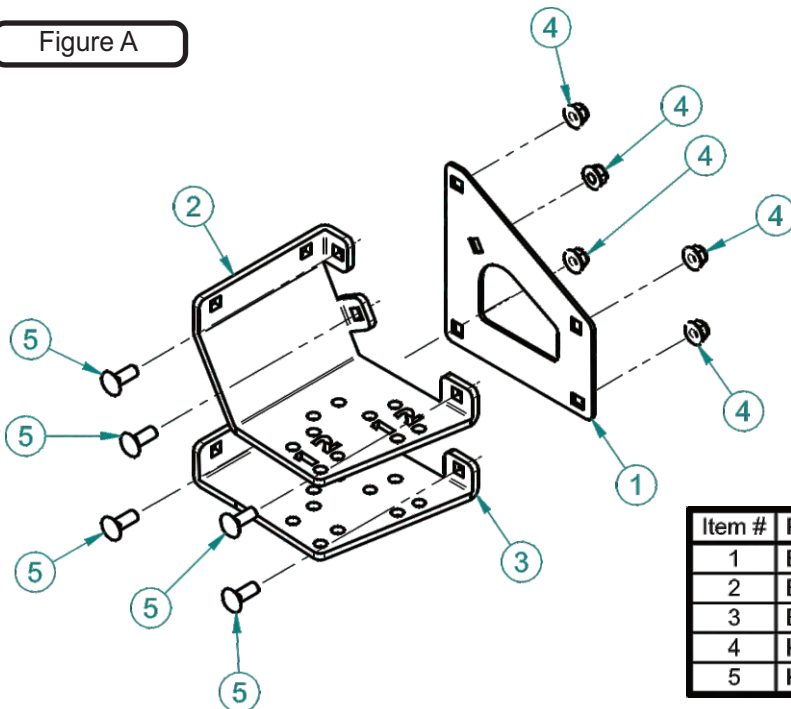
Item #	Part #	Desc.	Qty.
1	B2029	Rt. Frame Brkt.	1
2	B2032	Mount Arm / Top Brkt.	1
3	B2033	Mount Arm / Bottom Brkt.	1
4	K1182	Carriage Bolt 3/8"-16 x 1"	4
5	K2038	Ny-Flange Lock Nut 3/8"-16	4

Mount Arm / Gusset Installation

Align the Mount Arm / Gusset (Item #1) to the mount holes of the Top Bracket (Item #2) and Bottom Bracket (Item #3). Secure the Mount Arm / Gusset relatively loose by using (5) 3/8"-16 x 1" Carriage Bolts (Item #4) and (5) 3/8"-16 Ny-Flange Lock Nuts (Item #5). Refer to Figure A.

Note: Some parts and part features have been hidden from view for visual clarity.

Figure A



Item #	Part #	Desc.	Qty.
1	B2037	Mount Arm / Gusset	1
2	B2032	Mount Arm / Top Brkt.	1
3	B2033	Mount Arm / Bottom Brkt.	1
4	K2038	Ny-Flange Lock Nut 3/8"-16	5
5	K1182	Carriage Bolt 3/8"-16 x 1"	5

Mount Arm / Tube Assembly Installation

The set of bolt holes designated with a '2' are used to position and secure the Mount Arm / Tube Assembly (Item #1) for the RT & SRT Mower models. Refer to Figure B.

Before installing the Mount Arm / Tube Assembly (Item #1), install a Stop Bolt by placing (1) 3/8"-16 x 3-1/2" HHCS (Item #2) through both the Top Bracket and Bottom Bracket Mount Arm. Then secure the bolt by using (1) 3/8"-16 Ny-Flange Lock Nut (Item #3). Refer to Figure A and Figure B.

Place the Mount Arm / Tube Assembly (Item #1) between the Top Bracket and Bottom Bracket. Make sure the back of the Mount Arm / Tube is resting against the stop bolt previously installed. Position the Mount Arm / Tube Assembly between the (4) bolt holes and position (4) 3/8"-16 x 3-1/2" HHCS (Item #2) through both Brackets to better position the Mount Arm / Tube Assembly.

Secure the (4) 3/8"-16 x 3-1/2" HHCS by using (4) 3/8"-16 Ny-flange Lock Nuts (Item #3). Refer to Figure A.

Note: Some parts and part features have been hidden from view for visual clarity.

Figure B

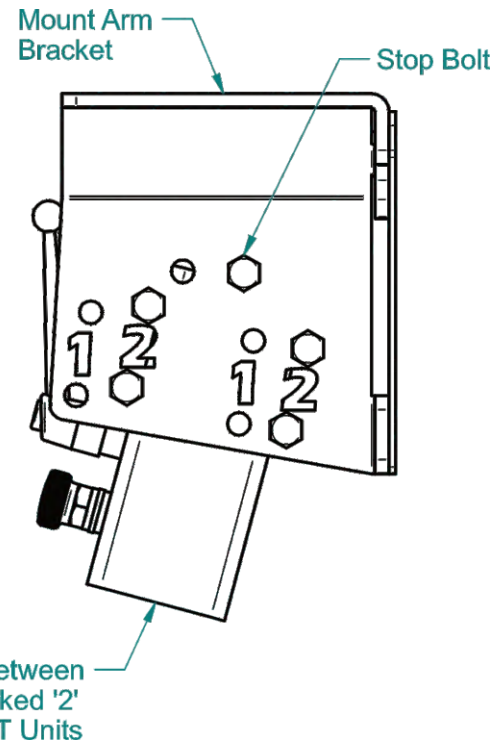
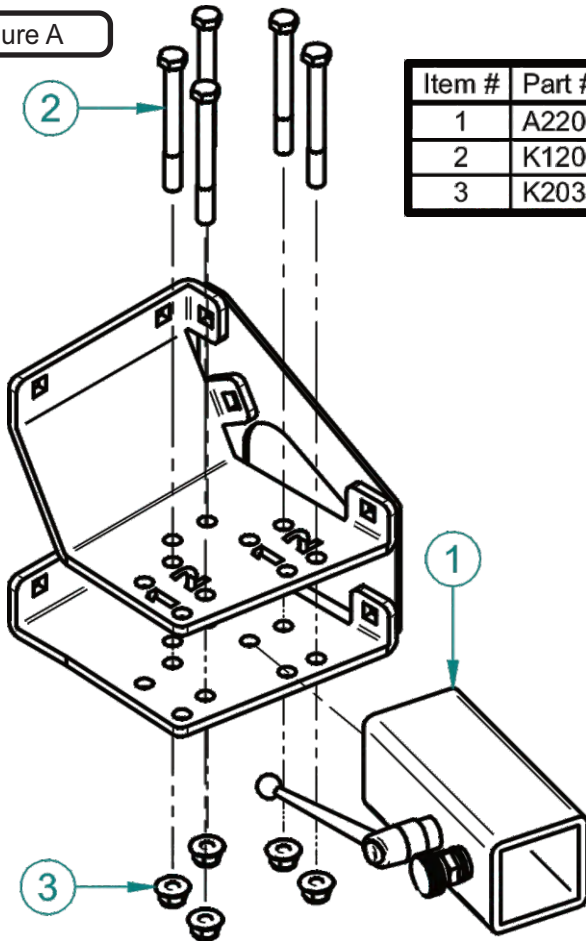


Figure A



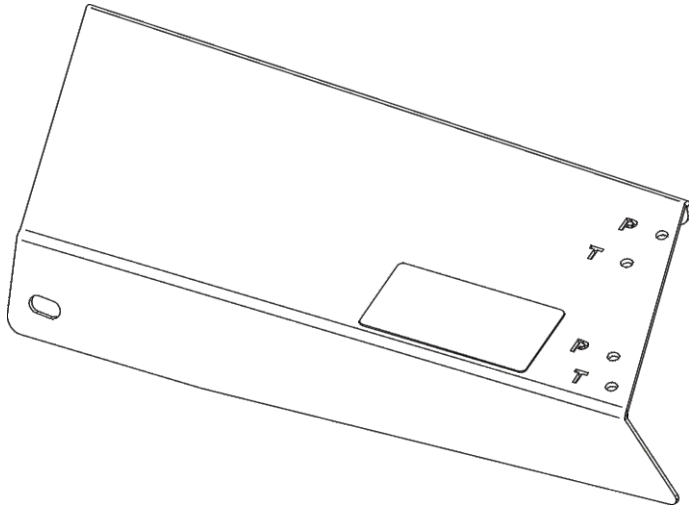
Item #	Part #	Desc.	Qty.
1	A2207	Receiver Tube Assy. / Mount Arm	1
2	K1200	3/8"-16 x 3.5" HHCS G5	5
3	K2038	Ny-Flange Lock Nut 3/8"-16	5

NOTE: After Installing The Mount Arm / Tube Assembly tighten ALL hardware including the hardware that were left relatively loose at the beginning of the installation.

PTO Drive Assembly

Once the Mount Arm Assembly is installed and secured to the mower, assemble the Drive Assembly P#(A2061_03), Belt Guard Assembly P#(A2069_02) & Idler Mount Assembly P#(A2067_02).

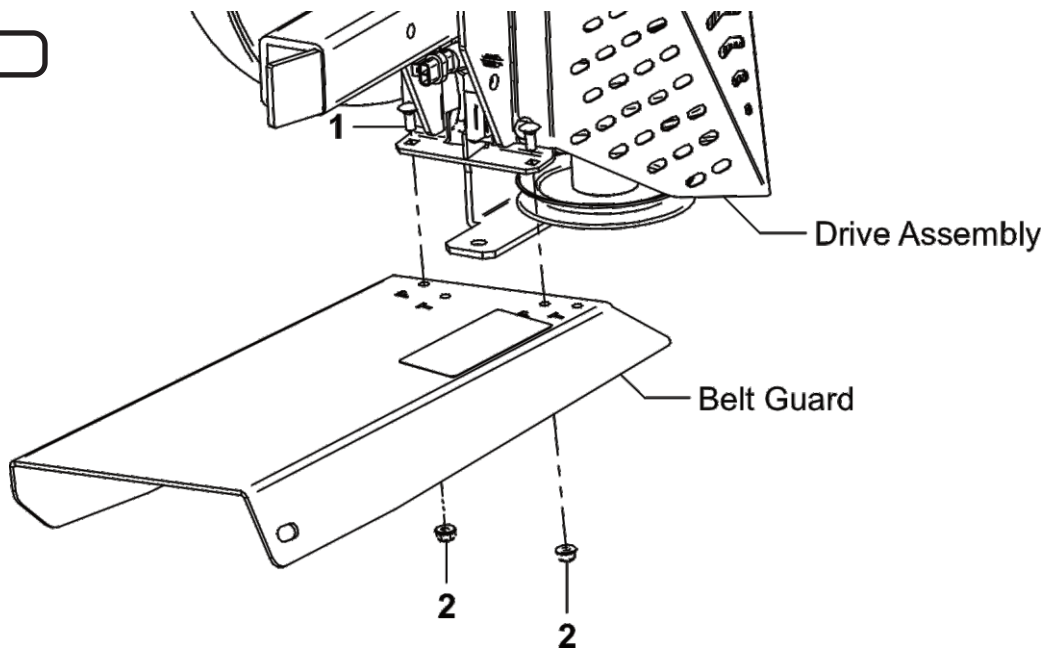
First, attach the Belt Guard Assembly P#(A2069_02) to the Drive Assembly P#(A2061_03) using (2) 1/4"-20 x 5/8" Carriage Bolts P#(K1010) and (2) 1/4"-20 Ny-Flange Lock Nuts P#(K2014). Refer to Figure A. **Leave Bolts Loose.**



BELT GUARD ASSY. HOLES

Notice Marked Holes Below;
For This Installation, Use Holes
Marked With The Letter 'P'

Figure A



Item #	Part #	Desc.	Qty.
1	K1010	1/4"-20 x 5/8" Carriage Bolt	2
2	K2014	1/4"-20 Ny-Flange Lock Nut	2

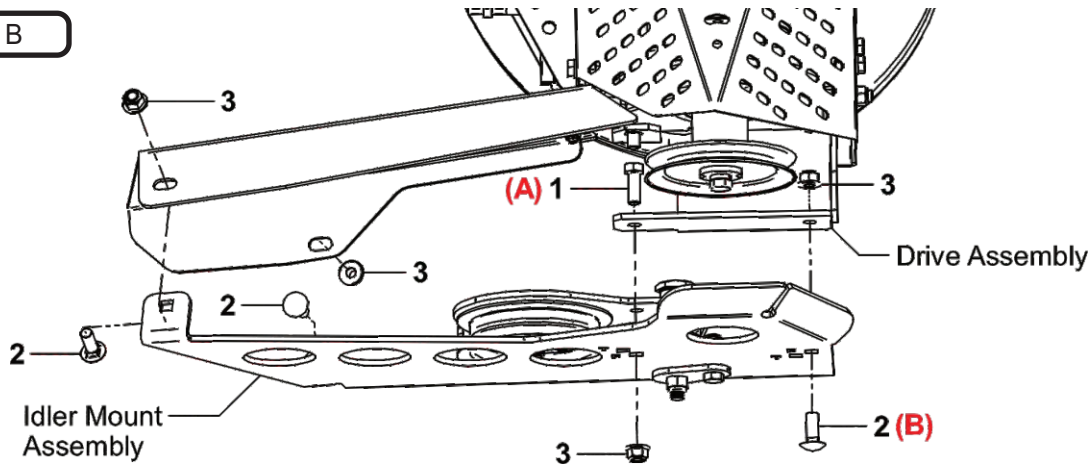
PTO Drive Assembly (Continued)

Attach the Idler Mount Assembly P#(A2067_02) to the Drive Assembly using (1) 3/8"-16 x 1" HHCS (A) (Item #1), (1) 3/8"-16 x 1" Carriage Bolt (B) (Item #2) and (2) 3/8"-16 Ny-Flange Lock Nuts (Item #3). Refer to Figure B.

Leave Bolts Loose (Note: Orientation of bolts A & B.)

Next, secure the Idler Mount Assembly P#(A2067_02) to the Belt Guard Assembly P#(A2069_02) using (2) 3/8"-16 x 1" Carriage Bolts (Item #2) and (2) 3/8"-16 Ny-Flange Lock Nuts (Item #3). Refer to Figures C & D. Tighten All Bolts.

Figure B



Item #	Part #	Desc.	Qty.
1	K1191	HHCS 3/8"-16 x 1" GR5	1
2	K1182	Carriage Bolt 3/8"-16 x 1"	3
3	K2038	Ny-Flange Lock Nut 3/8"-16	4

Figure C

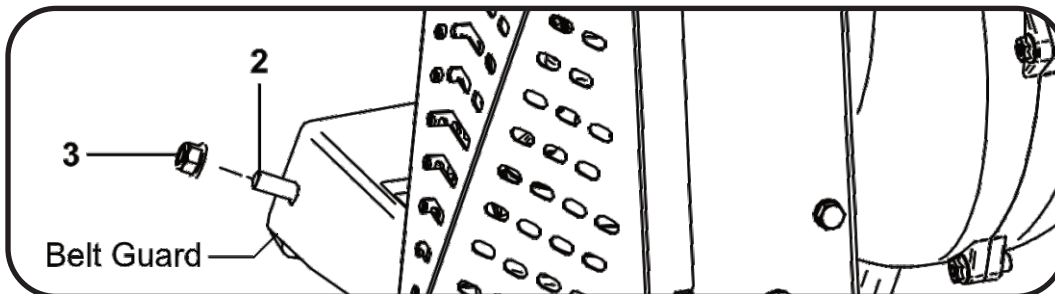
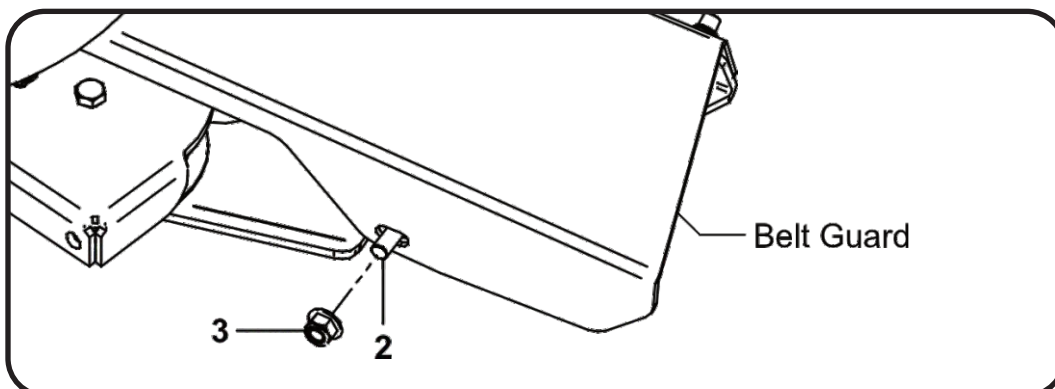


Figure D

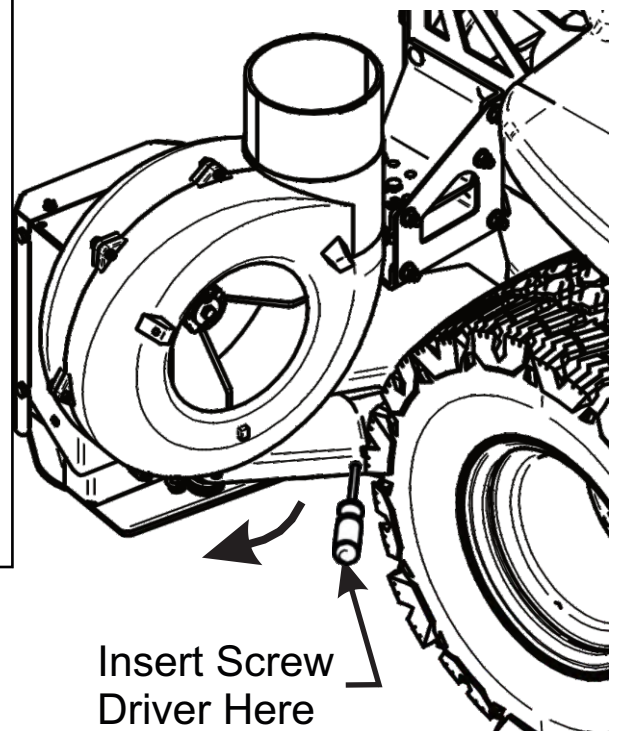
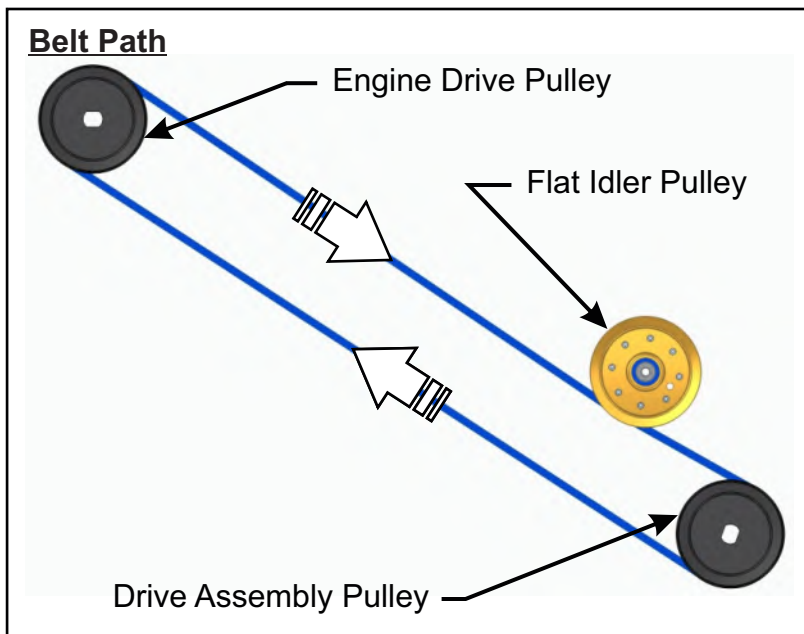
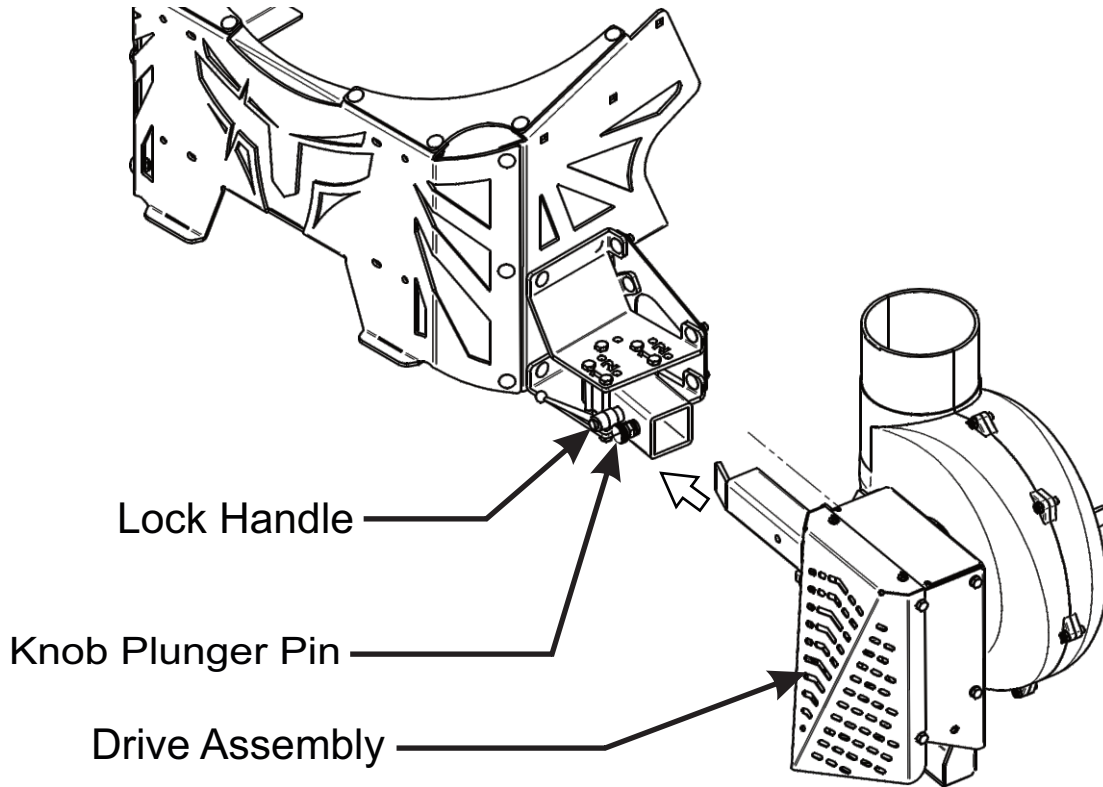


Drive Assembly and Belt Installation

(Note: It is recommended that someone assist during this step.)

Insert the Drive Assembly into the receiver tube on the Mount Arm Assembly until the Knob Plunger Pin engages. Once in place, turn Lock Handle clockwise until tight. Next, feed the AK80 Belt P#(M0322) between the Belt Guard and the Idler Mount Assembly. Place belt around the Engine Drive Pulley on the underside of the mower. While one person inserts a screw driver (or similar tool) into the Idler Mount Assembly and rotates lever arm clockwise, enough to relieve all tension from belt, place belt around the Drive Assembly Pulley. Once the belt is in position, carefully release the tension to tighten belt.

Refer to the images below.



Belt Tension Adjustment

The following information provides you a step by step guide on how to position the PTO-X Drive to obtain proper belt tension before use. Failure to set proper belt tension can result in drive damage and frequent belt replacements.

In order to properly tension your belt you will need the following tools:

- Impact Wrench
- 9/16" Socket
- 9/16" Open-End Wrench
- 7/16" Open-End Wrench
- Gates Tension Gauge (See Figure A)
- Tape Measure
- Marking Pen

Figure A

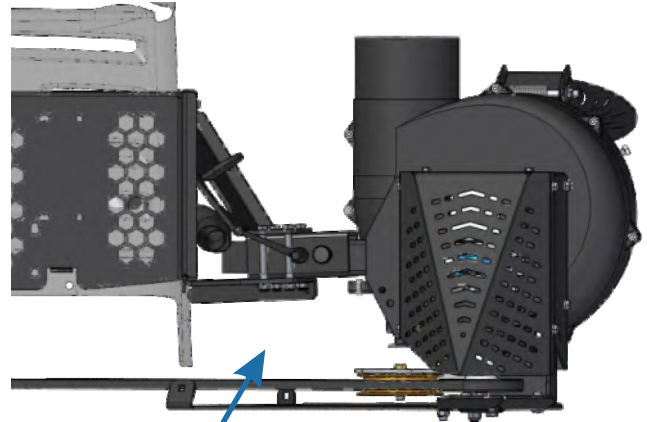
Gates Tension Gauge



Step 1 - Remove the top belt guard from the drive assembly. See Figure B.

Figure B

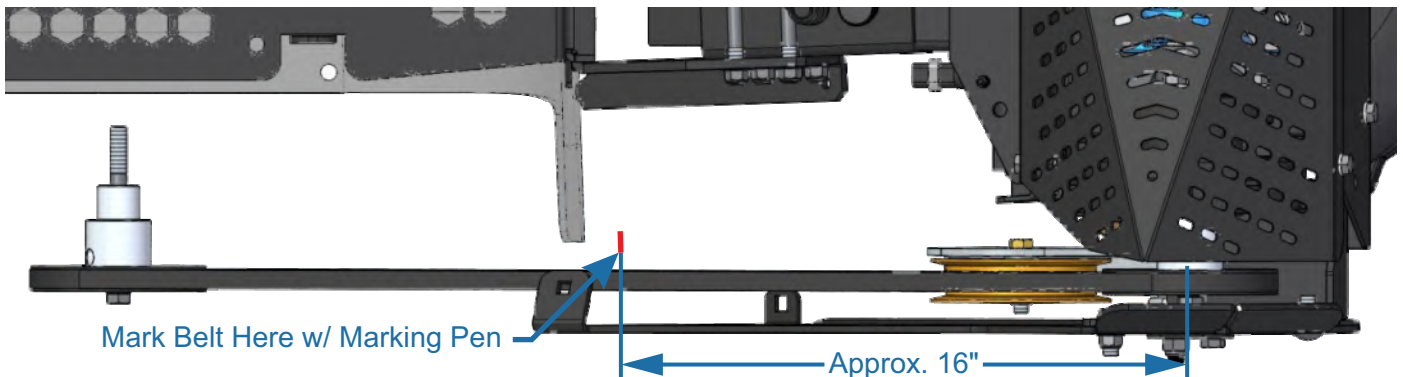
Top Belt Guard



Belt Guard Removed

Step 2 - Using a measuring tape, measure from the pulley center to approximately 16" and lightly mark a line on the belt using a marking pen. See Figure C.

Figure C



Belt Tension Adjustment (Cont.)

Step 3 - Place index finger into the loop on the Gates tension gauge. Position your finger over the line marked previously and keep the lower lip of the gauge below the belt. See Figure D.

Press inward until you feel a click. Remove the gauge and see the next step on how to determine the reading.

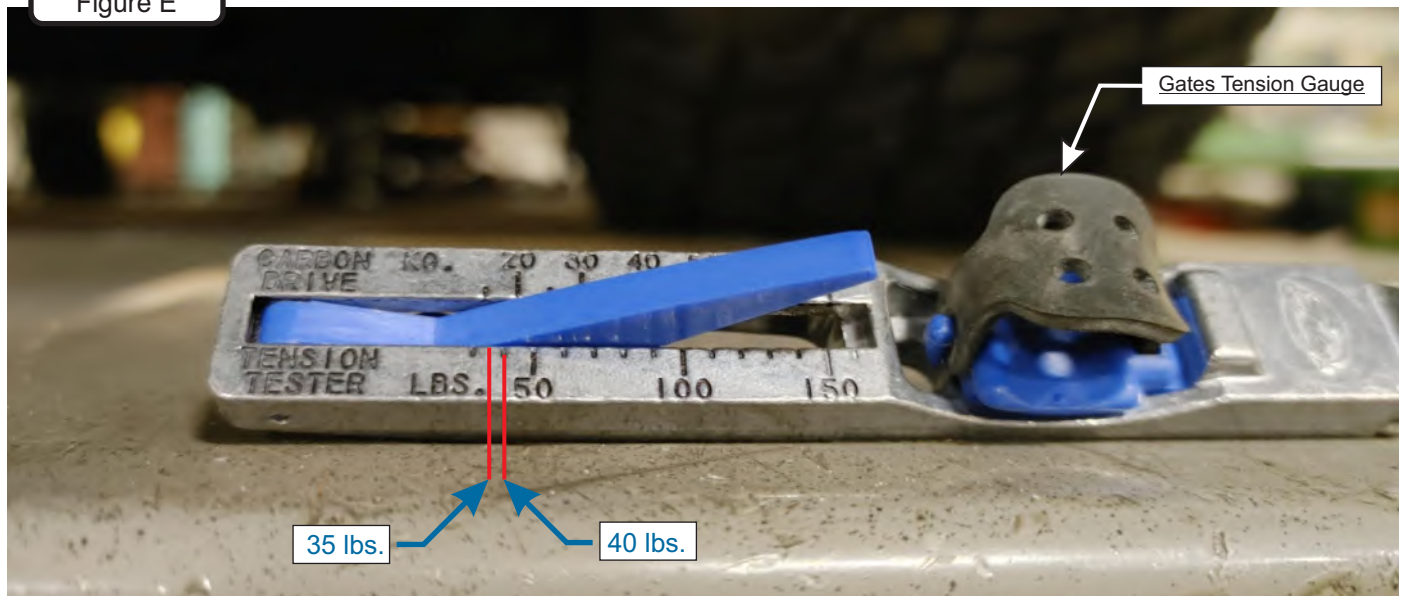
Figure D



Step 4 - To determine the tension, position the gauge at an angle to see where the edge of the blue dial intersects with the gauge markings. In Figure E below, the gauge is reading approximately 35 lbs. of tension.

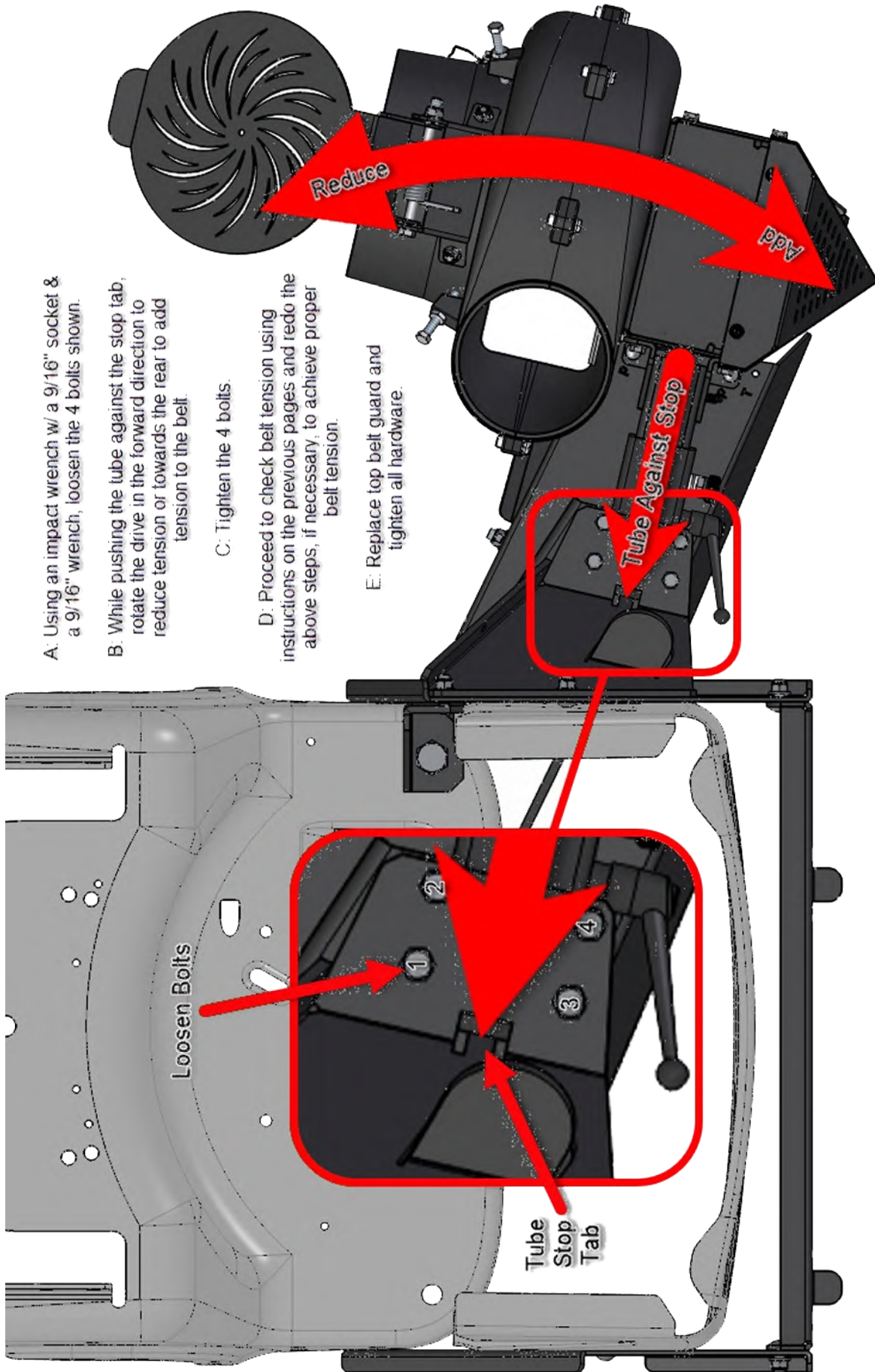
The proper belt tension should measure between 35 lbs. minimum and 40 lbs. maximum. If your reading is within this range, you can replace the top belt guard and forego the next steps.

Figure E



Belt Tension Adjustment (Cont.)

Step 5 - Belt Tension Procedure To Achieve 35-40 lbs. Tension



A: Using an impact wrench w/ a 9/16" socket & a 9/16" wrench, loosen the 4 bolts shown.

B: While pushing the tube against the stop tab, rotate the drive in the forward direction to reduce tension or towards the rear to add tension to the belt.

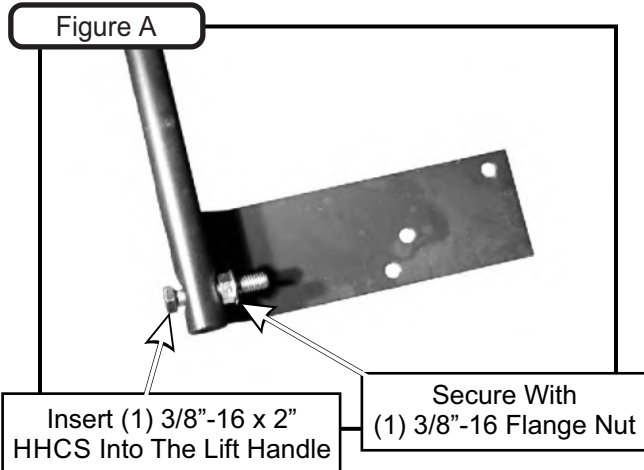
C: Tighten the 4 bolts.

D: Proceed to check belt tension using instructions on the previous pages and redo the above steps, if necessary, to achieve proper belt tension.

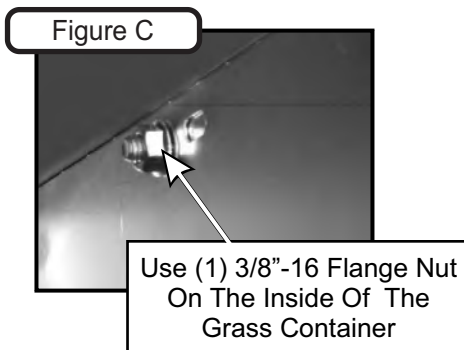
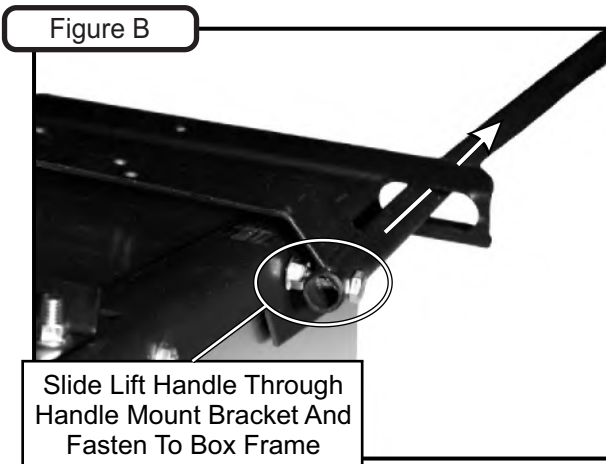
E: Replace top belt guard and tighten all hardware.

Lift Handle Installation

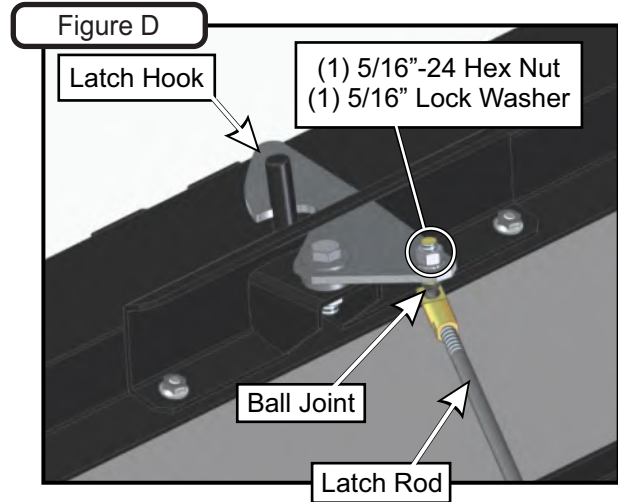
NOTE: Before continuing the Lift Handle installation, have someone assist you in turning the Box Assembly upside down. Insert (1) 3/8"-16 x 2" HHCS P#(K1208) into the Lift Handle P#(A0897), and secure with (1) 3/8"-16 Flange Nut P#(K1215). Thread the flange nut onto the bolt upside down, as shown in Figure A. Do not tighten the nut fully at this time.



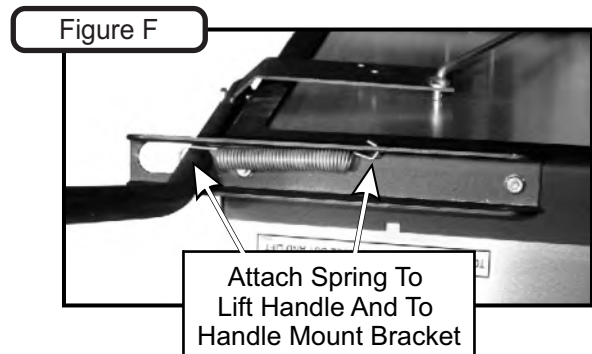
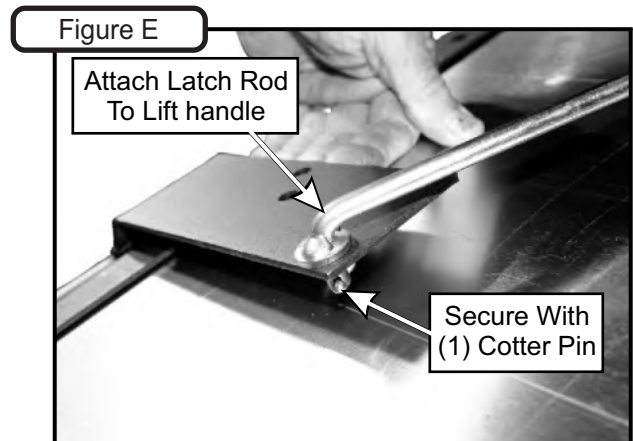
Slide the Lift Handle through the slot on the Handle Mount Bracket. Insert the Lift Handle into the Box Frame as shown in Figure B, and secure using (1) 3/8"-16 Flange Nut P#(K1215) on the inside of the Box as shown in Figure C. Now test the movement of the handle. It should have full-range of movement in the slot. If the handle does not have full-range of movement, adjust the 3/8"-16 Flange Nut from step A. Once achieved, tighten the fasteners.



Fasten the Ball Joint P#(K1442) to the end of the Latch Rod P#(A2107). Tighten the Ball Joint to approximately half-way down the threads on the Latch Rod. Attach the Ball Joint to the Latch Hook as shown in Figure D, using (1) 5/16"-24 Hex Nut P#(K1444) and (1) 5/16" Lock Washer P#(K0043).



Attach the other end of the Latch Rod to the Lift Handle, as shown in Figure E. Attach one end of the Spring P#(J0176) to the Lift Handle and the other end of the Spring to the Handle Mount Bracket as shown in Figure F. Adjust the Ball Joint up or down on the Latch Rod threads until the Latch Hook closes completely. After adjusting the Latch Hook, secure the Latch Rod to the Lift Handle using (1) Cotter Pin P#(K0094).



Aluminum Box Assembly Installation

NOTE: It is recommended that two extra people assist in mounting the Box Assembly.

Two can lower the Box onto the frame while the third person inserts the Pivot Pins P#(K0172) through the holes. Insert the Pins from the outside to the inside. Secure with (1) 5/8" Washer P#(K0058) and (1) 5/32" x 2-5/8" Hair Pin Clip P#(K0088) per Pivot Pin (Figure B). Reattach the bottom ends of the door opening linkages to the Main Frame by using (1) Rue-Ring Cotter Pin P#(K1437) per side. To test the functionality of the dump mechanism, pull the Lift Handle away from the unit, and lift upward. The Door of the Box Assembly should open and the Box should pivot clockwise towards the ground.

Figure A

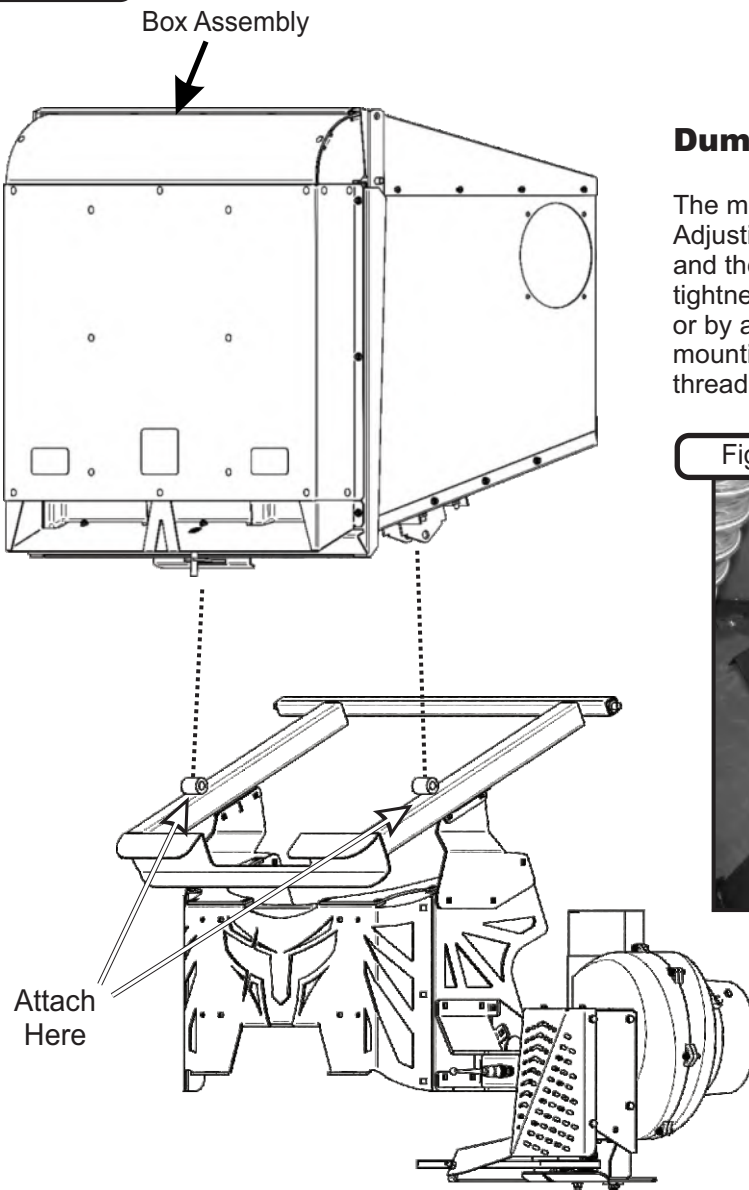
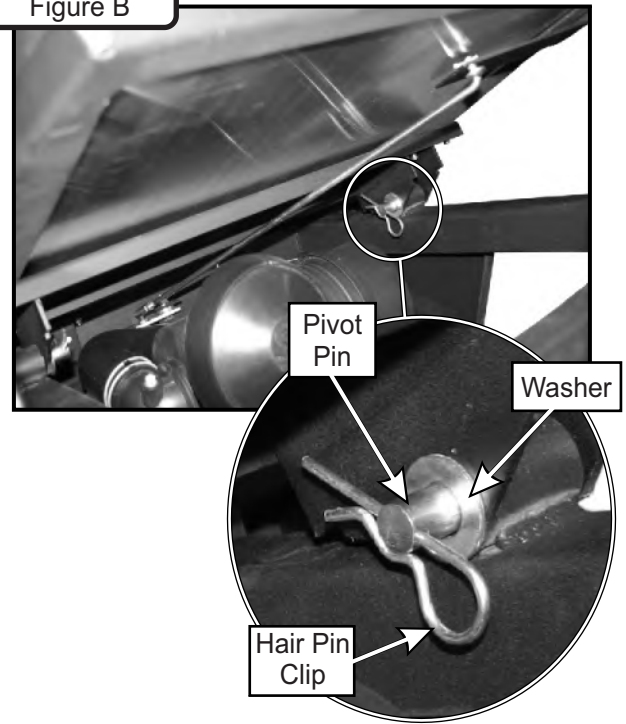


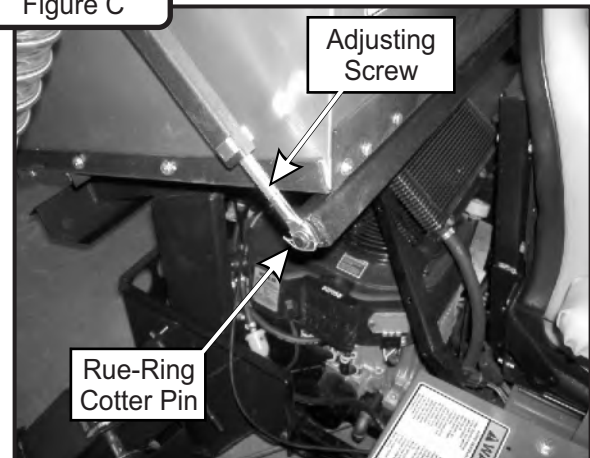
Figure B



Dump Mechanism Adjustment

The mechanism may be adjusted in three places, at the Adjusting Screw P#(K1435), at the Latch Hook Pivot Bolt and the linkage Ball Joint. To change the door closure tightness, thread the Adjusting Screw (Figure C) in or out or by adjusting the Latch Hook Pivot Bolt within its' mounting slot. To adjust the Latch Hook closure angle, thread the Linkage Ball Joint in or out.

Figure C



Inlet, Inlet Ring & Debris Deflector Installation

Open box door. From inside box, slide Inlet (Item #3) halfway into inlet hole (See Figure A). Take each half of the Inlet Ring (Item #1) and attach around matching groove in Inlet (Item #3). Slide Inlet (Item #3) & Inlet Ring (Item #1) against inlet hole and align four holes. Fasten Inlet Ring (Item #1) bottom holes using (2) 5/16" IT Tooth Lock Washers (Item #4) & (2) 5/16"-18 x 1/2" HHCS (Item #6) (See Figure B). Fasten Inlet Ring (Item #1) top holes using (2) 5/16" IT Tooth Lock Washers (Item #4) & (2) 5/16"-18 x 1-1/4" HHCS (Item #5). Slide Debris Deflector (Item #2) over inside top bolt threads (Item #5). Fasten Debris Deflector (Item #3) using (2) 5/16"-18 Ny-Flange Lock Nuts (Item #7). Final assembly should resemble Figure C.

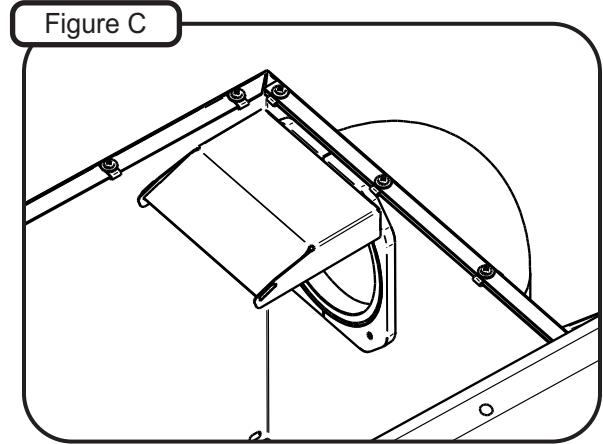
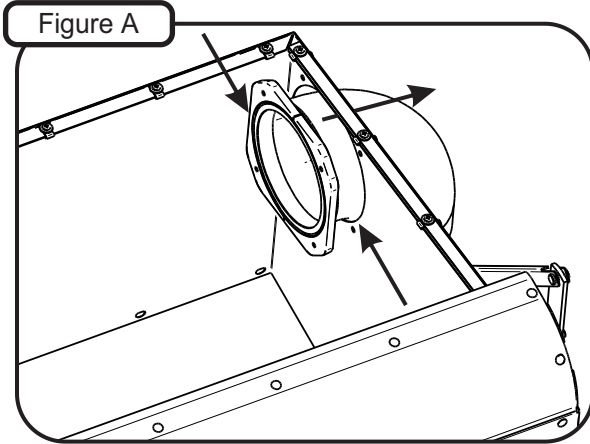
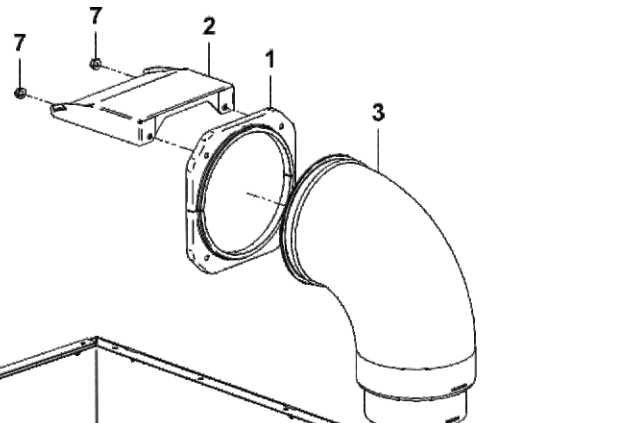
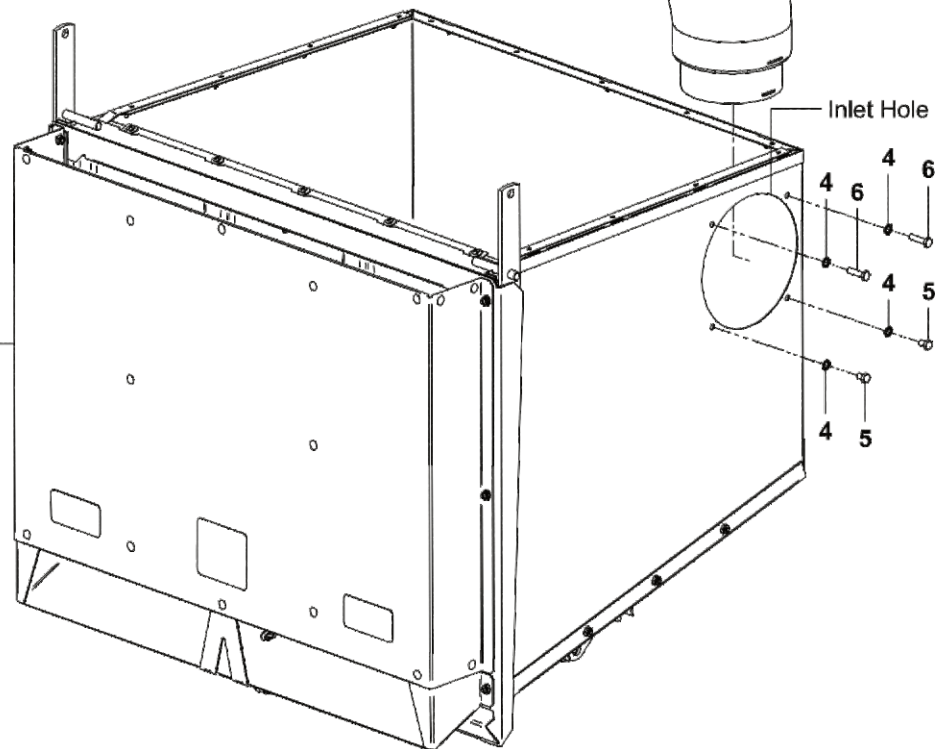


Figure B

Item #	Part #	Desc.	Qty.
1	C0074	Inlet Ring	1
2	C0088	Debris Deflector	1
3	V0025	Universal Inlet / 6" & 7"	1
4	K0044	I/T Tooth Lock Washer 5/16"	4
5	K1152	HHCS 5/16"-18 x 1/2"	2
6	K1156	5/16"-18 x 1-1/4" HHCS	2
7	K2516	Ny-Flange Lock Nut 5/16"-18	2



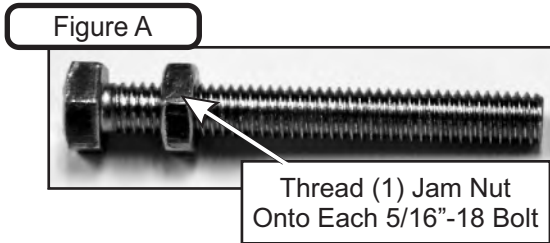
Open Box Door
to Install Inlet,
Inlet Ring &
Debris Deflector



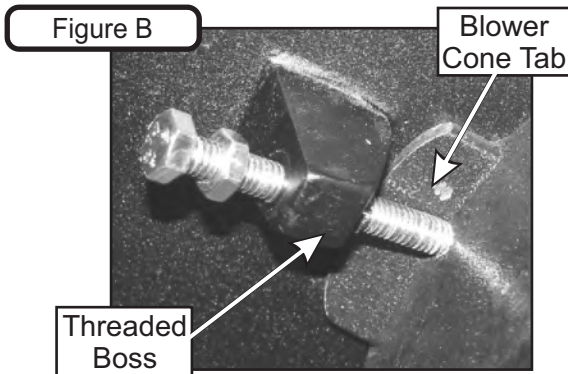
Note: Box Top & Screen Removed
in Figure for visual clarity.

Blower Cone Installation

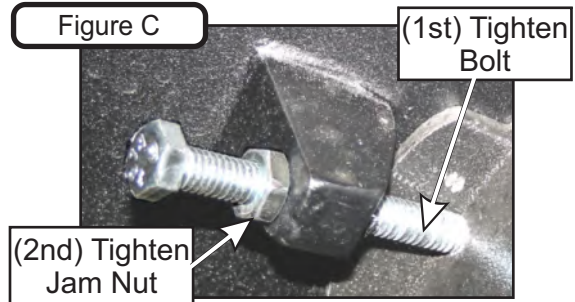
Thread (1) 5/16"-18 Jam Nut P#(K0120) onto each end of (2) 5/16"-18 x 1-1/2" HHCS P#(K1157) as shown in Figure A.



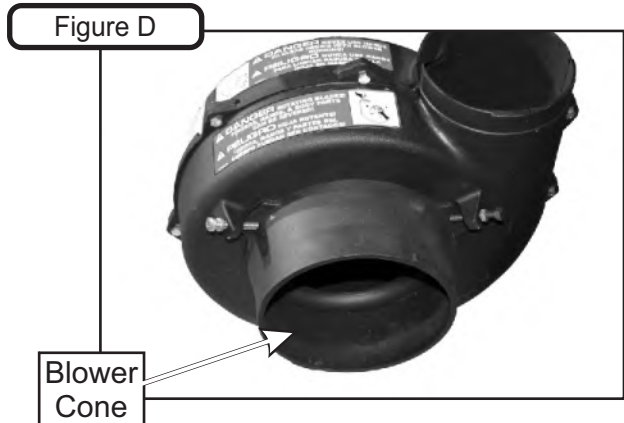
Now partially thread (1) bolt into each of the two threaded bosses located on the Blower Housing. Place 8" Blower Cone P#(E6009) so the two tabs line up with the bolts and tighten completely as shown in Figure B.



Once the (2) bolts are tight, tighten the Jam Nuts against the threaded boss as shown in Figure C.



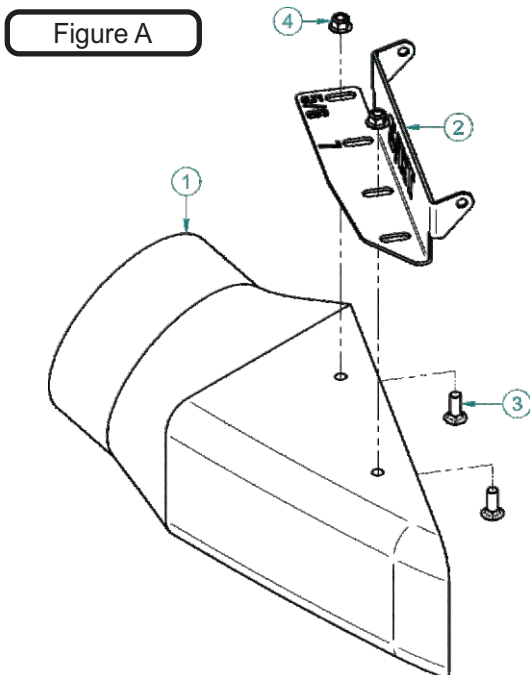
Refer to Figure D for proper Blower Cone installation reference.



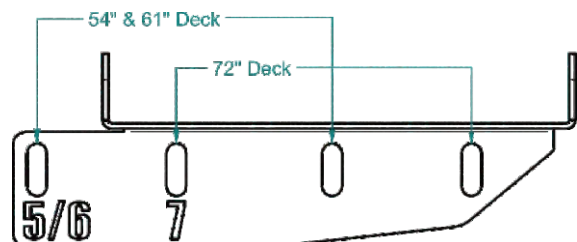
Boot Kit Assembly Installation

Before the installation of the Boot Kit, install the Boot Plate (Item #2) to the 8" Aluminum Boot (Item #1). The Boot Plate has slots designated specifically for your mower's deck size, refer to Figure A. Align the bolt holes of the Boot Plate to those of the Boot and loosely secure the Boot Plate by using (2) 3/8"-16 x 1" Carriage Bolts (Item #3) and (2) 3/8"-16 Ny-Flange Lock Nuts (Item #4). Be sure to insert the Carriage Bolts from the bottom up as shown in Figure A.

The hardware should be tightened after the Boot Kit is installed onto the mower.



Item #	Part #	Desc.	Qty.
1	E0040	8" Aluminum Boot	1
2	B2036	Spartan RT/ SRT Boot Plate	1
3	K1182	Carriage Bolt 3/8"-16 x 1"	2
4	K2038	Ny-Flange Lock Nut 3/8"-16	2

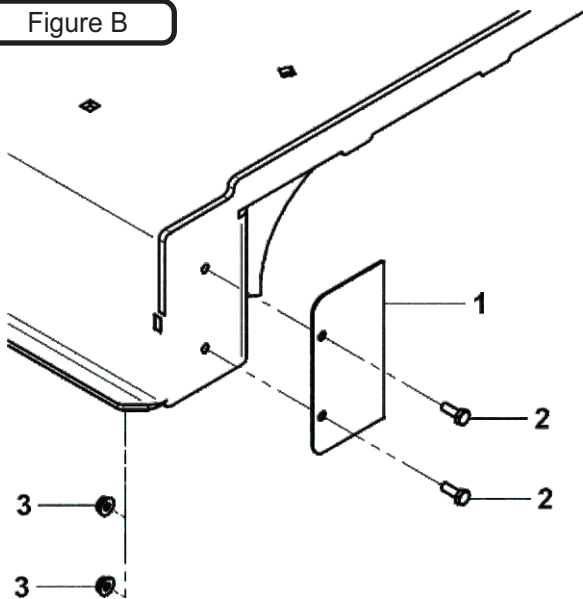


Boot Kit Assembly Installation (cont.)

If your mower has a 72" deck then you will need to install a Deck Blockoff Plate (Item #1) before installing your Boot. To install the Deck Blockoff, position the Deck Blockoff towards the rear of the mower's deck opening aligning the (2) bolt holes. Secure the Deck Blockoff by using (2) 1/4"-20 x 3/4" HHCS (Item #2) and (2) 1/4"-20 Flange Nuts (Item #3). Refer to Figure B below.

Note: Some parts and part features have been hidden from view for visual clarity.

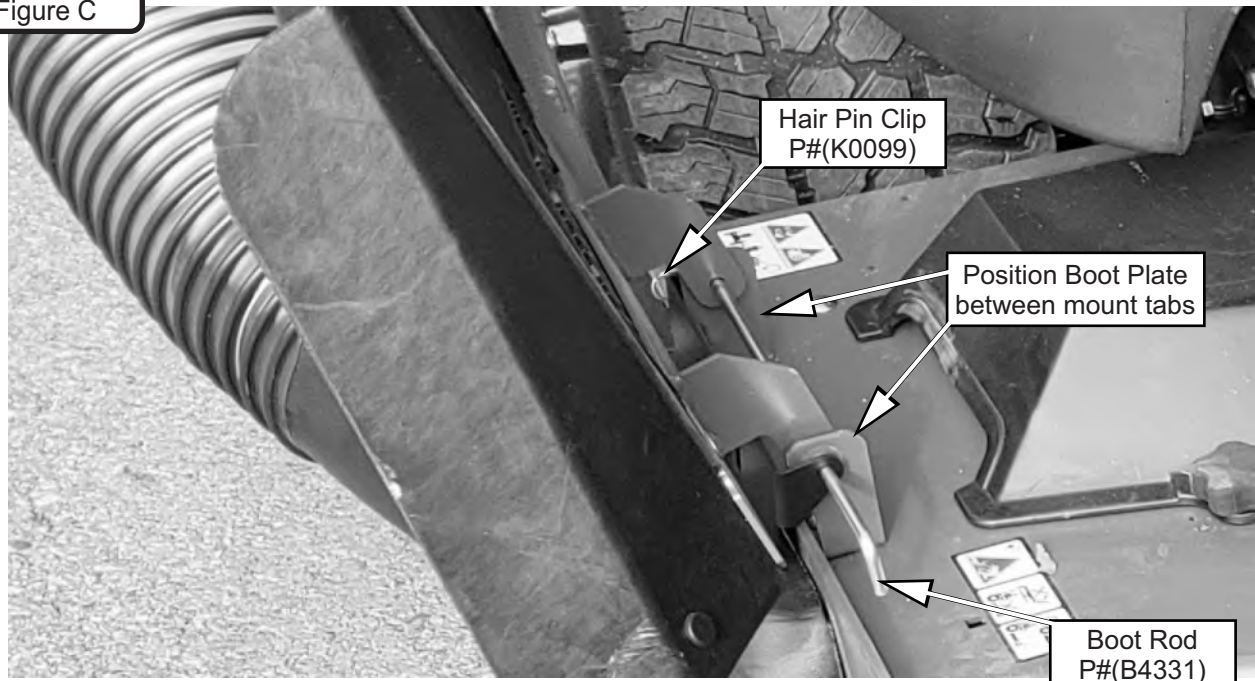
Figure B



Item #	Part #	Desc.	Qty.
1	B2063	Spartan Deck Blockoff	1
2	K1222	1/4"-20 X 3/4" HHCS	2
3	K1126	Flange Nut 1/4"-20	2

To install the Boot Kit, first, remove the hardware securing the mower's discharge chute. Next, position the Boot over the deck opening and set the Boot Plate between the chute mount tabs. Then, secure the Boot Kit by passing (1) Boot Rod P#(B4331) through the discharge mount tabs and Boot Plate. Refer to Figure C. Finally, lock the Boot Rod in play by using (1) Hair Pin Clip P#(K0099).

Figure C



Once the Boot Kit is secured, adjust the Boot to make sure it fully covers the discharge area of the mower's deck and tighten all hardware at this time.

Length Of Hose Adjustment

The hoses in the following steps must be cut to fit your machine. Do not cut the hoses until you have tried to fit them on your machine. Remember that the hoses need to be long enough to allow for the opening and closing of the collection system as well as allowing ample clamping surface between each component.

Upper Hose Installation

Slide a Hose Clamp P#(J0060) over one end of the 6" Upper Hose. Secure this end of the 6" Upper Hose to the Blower Outlet. See Figure below for details. Secure opposite end of the 6" Upper Hose to the Inlet. Make sure both ends are securely fastened by tightening the Hose Clamp.

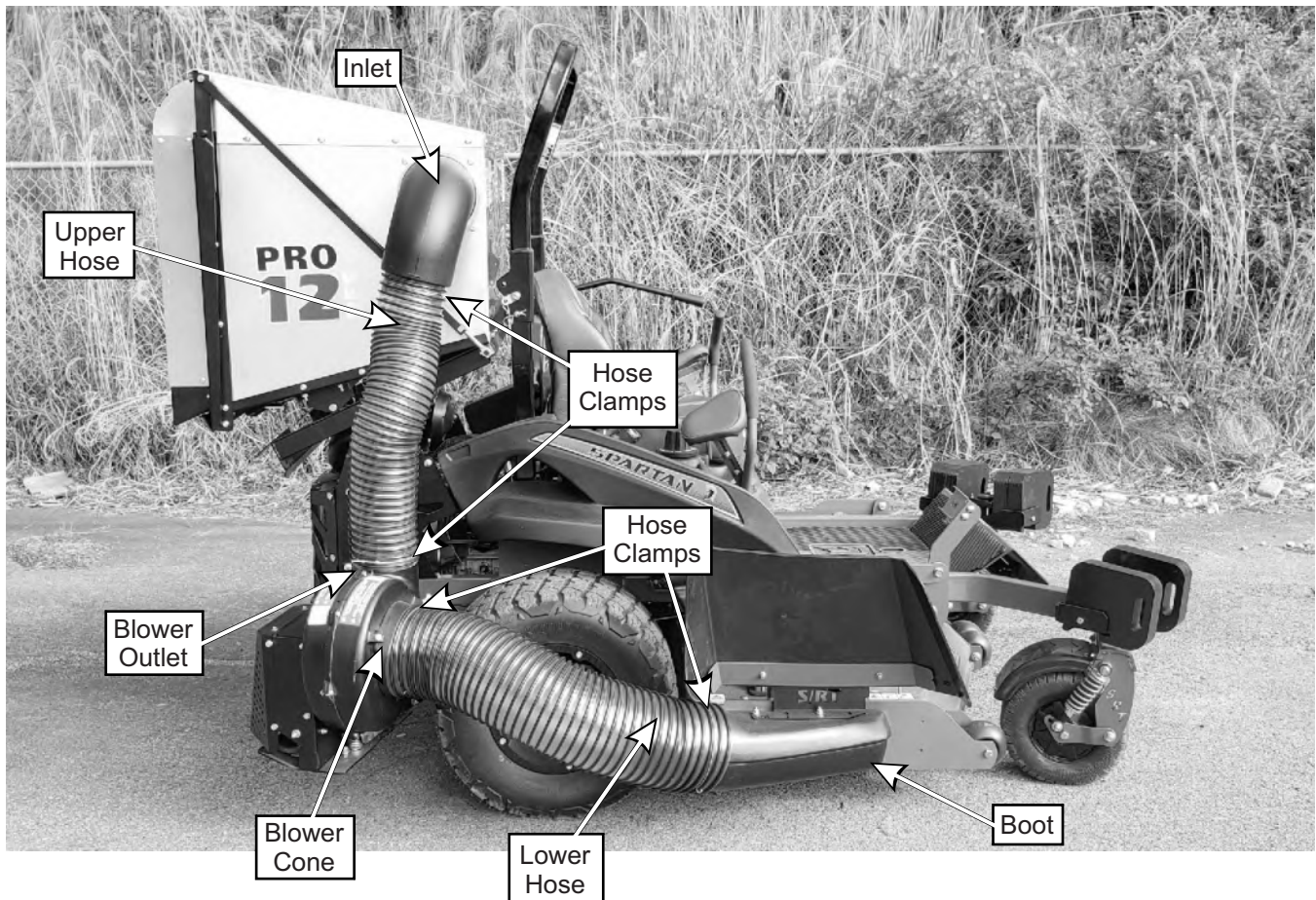
Lower Hose To Blower Cone Installation

Slide a Hose Clamp P#(J0080) over both ends of the Lower Hose. Secure one end of the Lower Hose to the Blower Cone and fasten by tightening the Hose Clamp.

Lower Hose To Boot Installation

Take the unattached end of the Lower Hose and secure it to the circular end of the Boot and fasten by tightening the Hose Clamp.

Tip: Before securing Hose Clamp fully, rotate Lower Hose counter-clockwise (away from yourself) approximately 1" to aid in retaining Boot to mower deck.



Wire Harness Installation



WARNING

To Prevent Serious Injury- Proper Installation Of Safety Interlock Harness Is Mandatory. Please Check That All Interlock Points Work Correctly Once Installed.

Before installing the PTO Switch Plate, install the PTO Rocker Switch P#(P0293) by positioning it over the Switch Plate and firmly pressing the Rocker Switch down until it is seated in place.

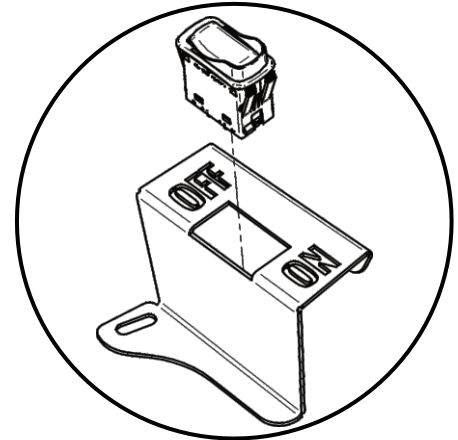
Be sure the 'FAN' Symbol is positioned to the 'ON' side of the PTO Switch Plate. Refer to Figure A.

Once installed, connect the Wire Harness' (2) Female Switch Disconnects to the PTO Rocker Switch P#(P0293). Refer to Figure B for the Wire Harness components.

To install the PTO Switch Plate P#(B2038), (#1) remove the corner screw securing the control panel cover and set it aside.

Next, (#2) lift the control panel and (#3) place the PTO Switch Plate under the control panel. (#4) Align the slot with the corner mount hole and secure the Switch Plate by using the previously removed hardware.

Refer to Figure A below.



Install Rocker Switch to Switch Plate

Figure A

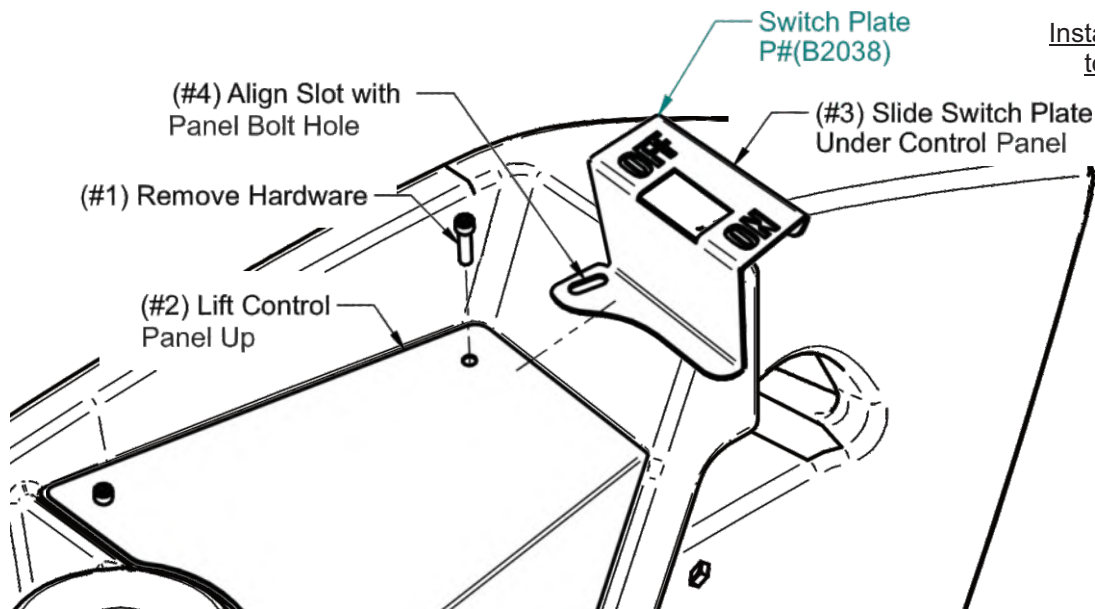


Figure B



Negative Lead (-) to Negative Terminal (-)



Positive Lead (+) to Positive Terminal (+)



(2) Female Switch Disconnects to PTO Rocker Switch

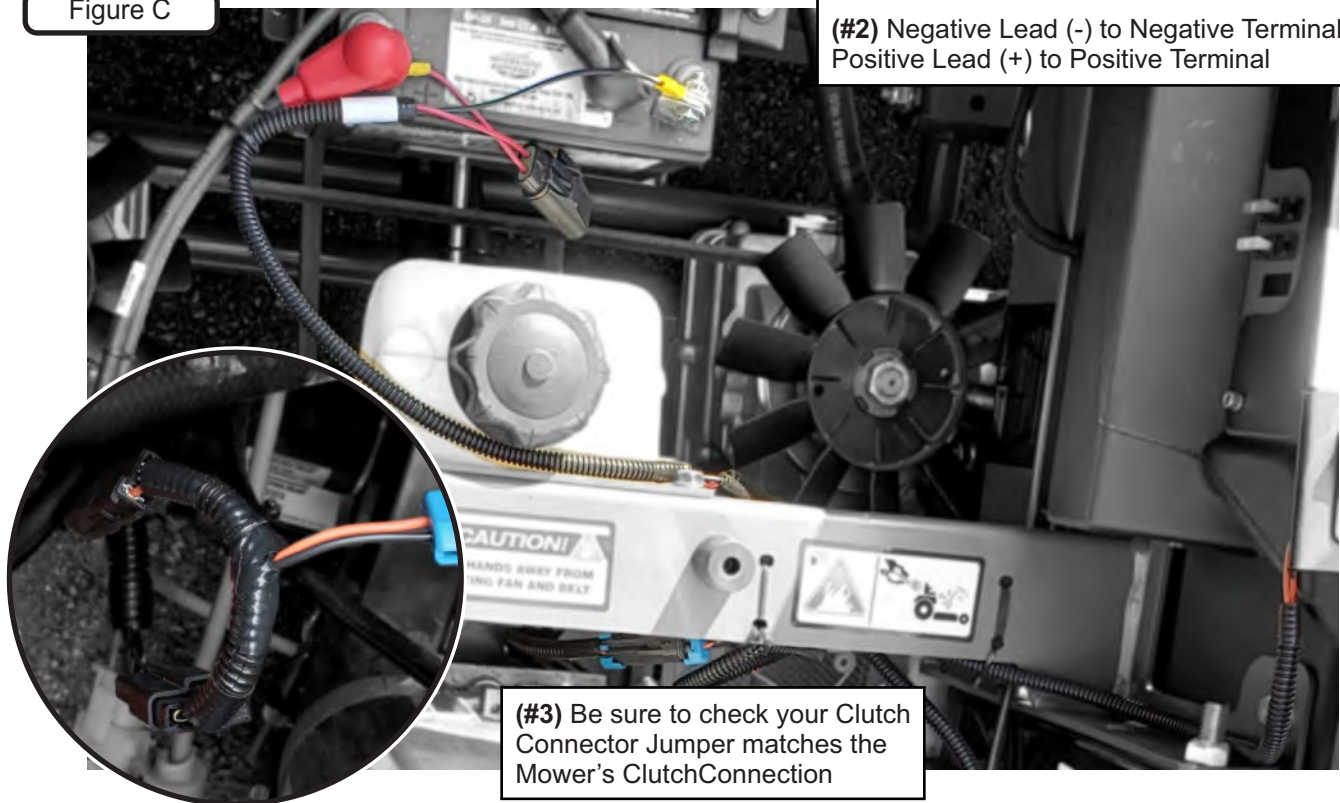


Wire Harness Installation (Continued)

Next, route the (#2) Negative Lead (-) and the Positive Lead (+) of the Wire Harness P#(P0298) to the negative & positive terminal of the mower's battery. Refer to Figure B for the Wire Harness components, refer to Figure C on the next page for the Wire Harness to mower connection.

Route the Wire Harness back towards the engine and disconnect the mower's clutch connector and (#3) interconnect it with the Wire Harness' Clutch Connection Jumper. Refer to Figure C. Be sure to identify and pick the correct Jumper depending on your mower's clutch connection type. Refer to the Wiring Diagram on Page 24 for the Connection Jumper Types.

Figure C



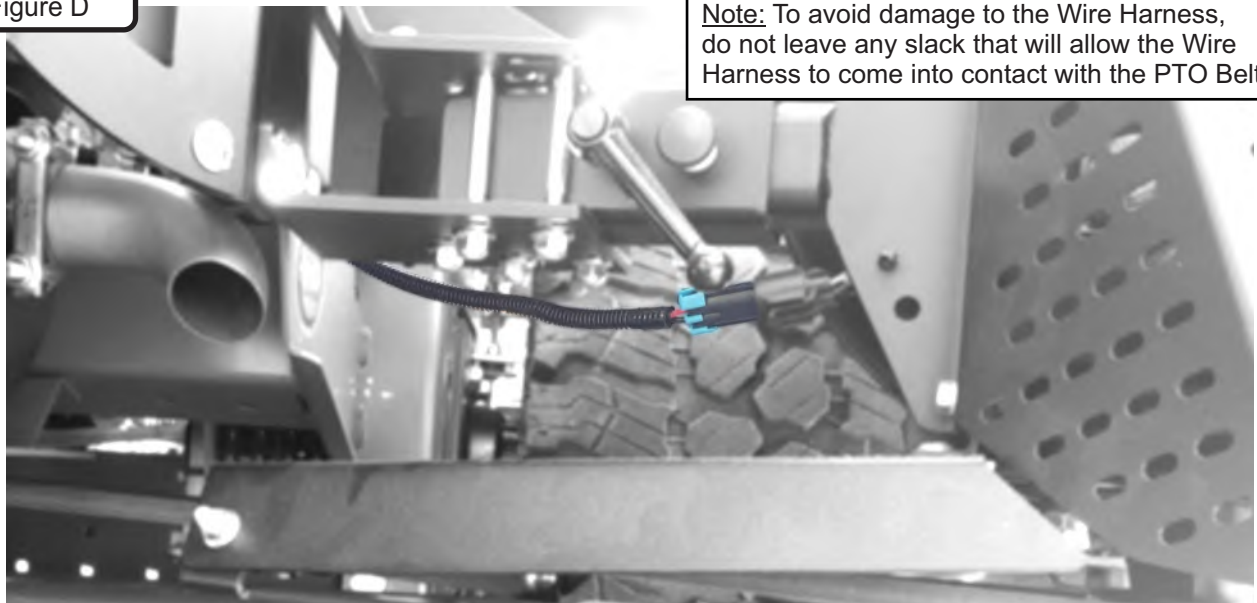
(#2) Negative Lead (-) to Negative Terminal
Positive Lead (+) to Positive Terminal

(#3) Be sure to check your Clutch
Connector Jumper matches the
Mower's Clutch Connection

Finally, route the Wire Harness back towards the rear of the mower positioning the Wire Harness under the Bottom Bracket / Mount Arm. Then connect the Wire Harness to the PTO Unit. Refer to Figure D.

Note: It is recommended to secure the Wire Harness to the mower by using the included Cable Ties P#(J0245) once you have the Wire Harness installed. Be sure the Wire Harness is routed so that it does not obstruct the seat as it is being lowered down or any part of the mower that may damage the Harness.

Figure D

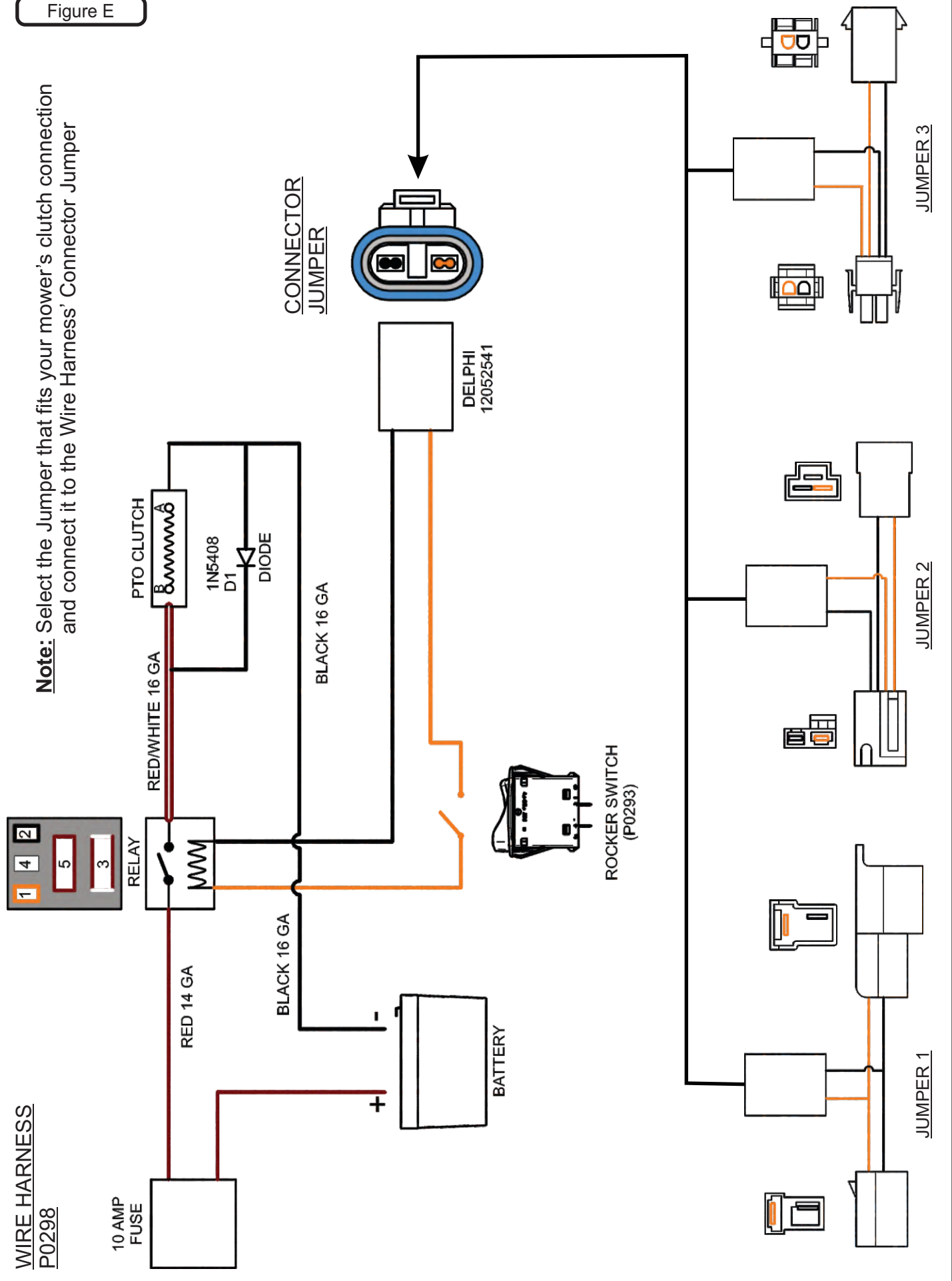


Note: To avoid damage to the Wire Harness,
do not leave any slack that will allow the Wire
Harness to come into contact with the PTO Belt

Wire Harness Installation (Continued)

Figure E

Note: Select the Jumper that fits your mower's clutch connection and connect it to the Wire Harness' Connector Jumper

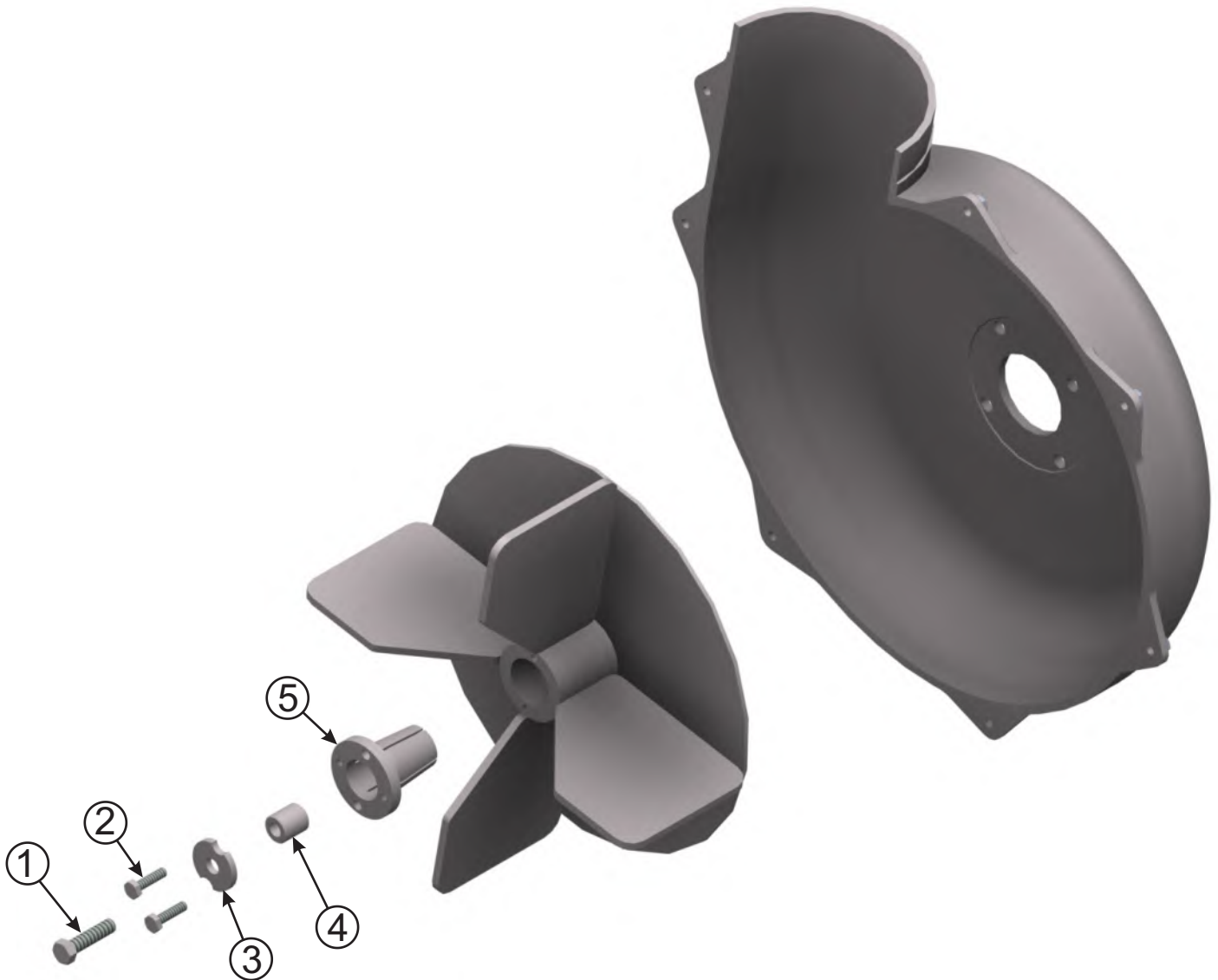


Impeller Blade Removal/Replacement (cont.)

4-Blade Impeller

To Remove: First remove the 5/16"-24 x 1" HHCS P#(K0428) (#1), Taper Lock Bushing Washer P#(K0284) (#3), (2) 5/16 Flat Wahers P#(K0042) and Spacer Bushing P#(S0159) (#4) from the Taper-Lock Bushing P#(S0157) (#5). Next remove the (2) 1/4"-20 x 1" HHCS (#2) and place them into the threaded holes of the Taper-Lock Bushing (#5). Gradually thread each bolt evenly into the Taper-Lock Bushing, forcing the blade to break-away from the Taper-Lock Bushing. If the Impeller will not move, carefully hit the base of the Impeller, between each vein, with a hammer, then try again.

To Replace: Place Impeller Blade over the engine shaft. Slide the Taper-Lock Bushing (#5) on to the engine shaft and into the Impeller Blade, aligning the **non-threaded** holes of the Taper-Lock Bushing to the threaded holes of the Impeller Blade. Fasten by using (2) 1/4"-20 x 1" HHCS (#2), (1) Spacer Bushing (#4) (1) Taper-Lock Bushing Washer (#3), and (1) 5/16"-24 x 1" HHCS (#1). Torque to the proper specifications in the torque chart on the back of this manual. Next, rotate the Impeller Blade to ensure that the blade is clear of contact on all sides of the blower housing.



Weight Kit Installation

NOTE: This Assembly Installation is intended for the Right Caster of the mower. Repeat for the Left Caster.

Position the Dual Weight Bracket Base (Item#1) under the caster tubing w/ opening towards caster fork. Next, position the Weight Bracket Clamp (Item#2) on top of caster tubing w/ opening towards caster fork.

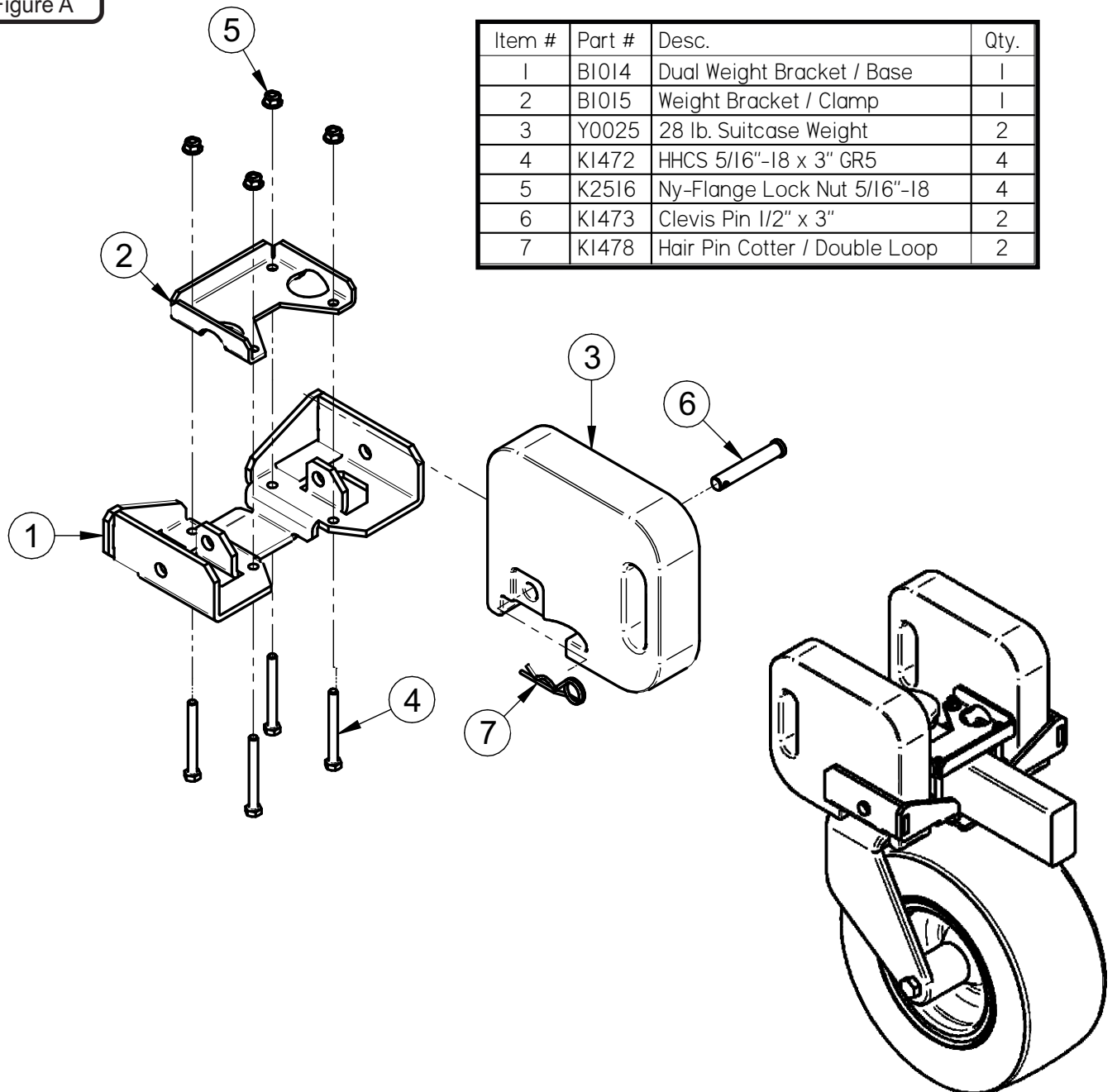
Align the (4) holes of the Weight Bracket Clamp (Item#2) to the holes in the Dual Weight Bracket Base (Item#1). Loosely fasten the Weight Bracket Clamp (Item#2) to the Weight Bracket Base (Item#1) using (4) 5/16"-18 x 3" Bolts (Item#4) & (4) 5/16"-18 Ny-Flange Lock Nuts (Item#5).

Position the Weight Bracket Base and the Weight Bracket Clamp assembly along the caster tubing to prevent interference from caster forks or any other objects. Tighten the fasteners in an 'X' pattern until assembly is firmly clamped to caster tubing. Do not over tighten which may result in bending Weight Bracket Clamps (Item#3).

To Install the Weights, insert (1) Weight (Item#3) Into the Weight Bracket Base (Item#2) & align the holes of the Weight w/ the holes of the Weight Bracket Base (Item#2). Fasten the Weight (Item#1) to the Weight Bracket Base Using (1) Clevis Pin (Item#6) & (1) Hair Pin Clip (Item#7) per weight. Repeat for additional Weights.

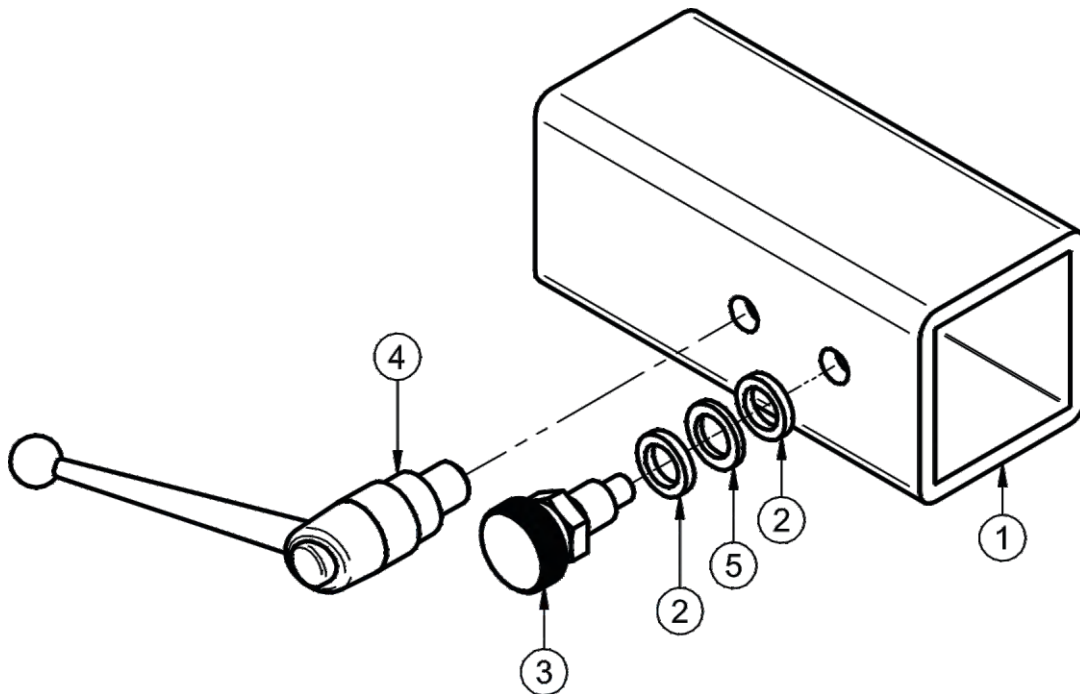
Refer to the Figure Below.

Figure A



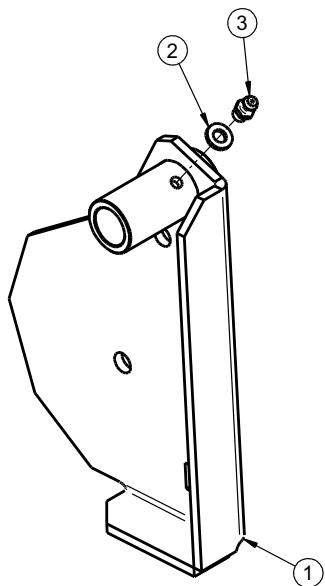
Item #	Part #	Desc.	Qty.
1	B1014	Dual Weight Bracket / Base	1
2	B1015	Weight Bracket / Clamp	1
3	Y0025	28 lb. Suitcase Weight	2
4	K1472	HHCS 5/16"-18 x 3" GR5	4
5	K2516	Ny-Flange Lock Nut 5/16"-18	4
6	K1473	Clevis Pin 1/2" x 3"	2
7	K1478	Hair Pin Cotter / Double Loop	2

A2207 Mount Arm / Tube Assembly Exploded Parts View



Item #	Part #	Desc.	Qty.
1	B0931	Tube / Mount Arm	1
2	J0013	Nylon Flat Washer 1/2" x .750" OD Grade 6/6	2
3	J0020	Knob Plunger Pin 1/2"-13	1
4	J0009	Adjustable Handle 1/2"-13 x .59 Male	1
5	K0027	Flat Washer 1/2" / .787 OD x .512 ID x .090 T	1

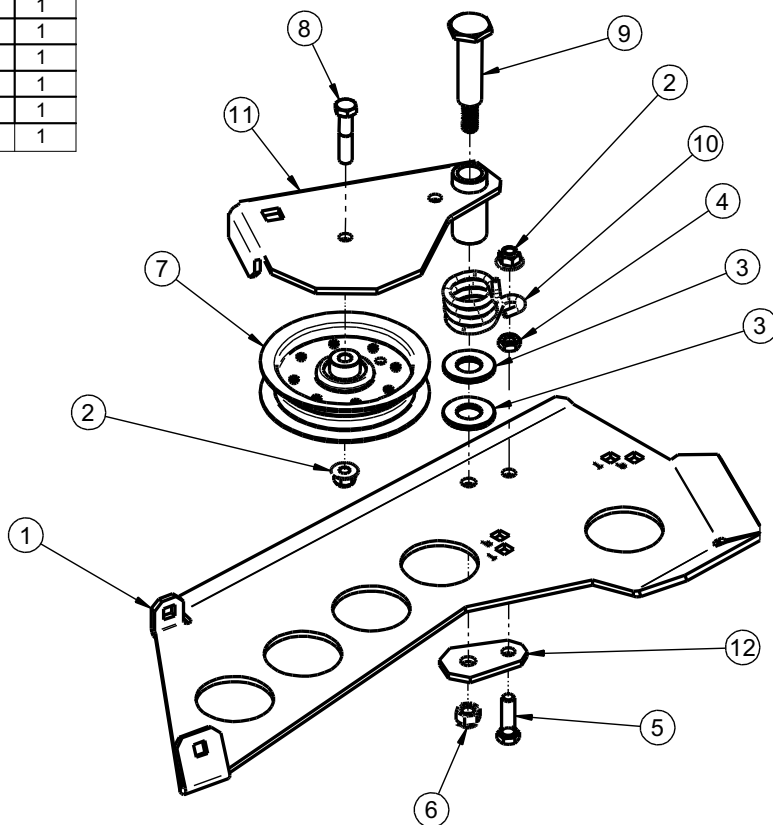
A2092 Idler Arm Assembly Exploded Parts View



Item #	Part #	Desc.	Qty.
1	A2070_01	Idler Arm Weldment	1
2	K1467	Flat Washer M6 x 12mm OD	1
3	J0801	1/4\"-28 Zirc Fitting	1

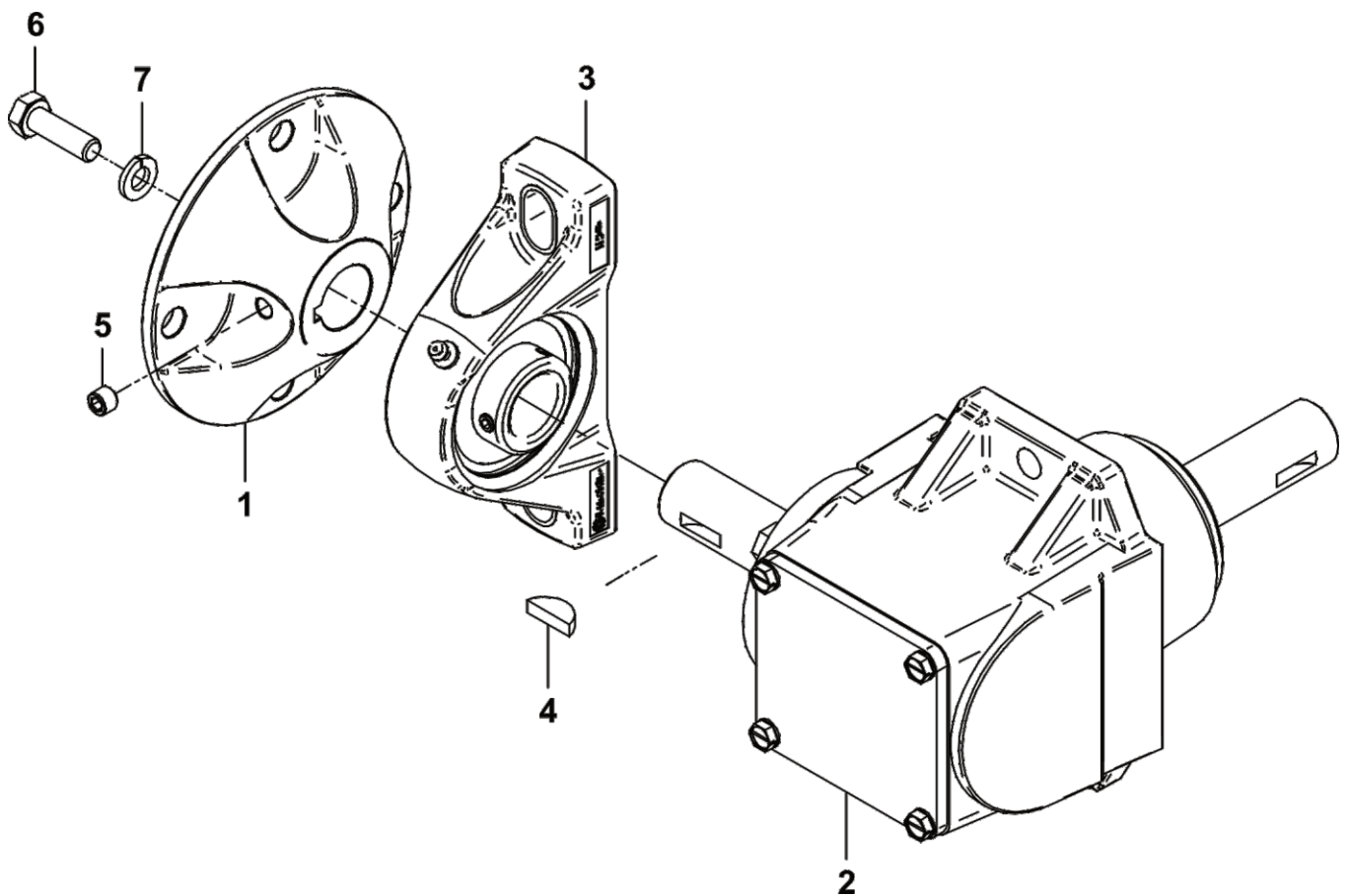
A2067 02 Idler Mount Assembly Exploded Parts View

Item #	Part #	Desc.	Qty.
1	B0958_02	Idler Mnt Pl	1
2	K2038	Ny-Flange Lock Nut 3/8\"-16	2
3	K1463	Flat Washer .720 ID x 1.500 OD x .250 T	2
4	K1219	Jam Nut 3/8\"-16	1
5	K1192	HHCS 3/8\"-16 x 1-1/4\" GR5	1
6	K0329	Nylock Nut 7/16\"-14 GR8	1
7	M0003	Idler Pulley	1
8	K1462	HHCS 3/8\"-16 x 1-3/4\" GR8	1
9	K1464	Shoulder Bolt 7/16\"-14 / Idler	1
10	J0024	Torsion Spring	1
11	A2092	Idler Arm Assy	1
12	B0974	Idler Base Plate	1



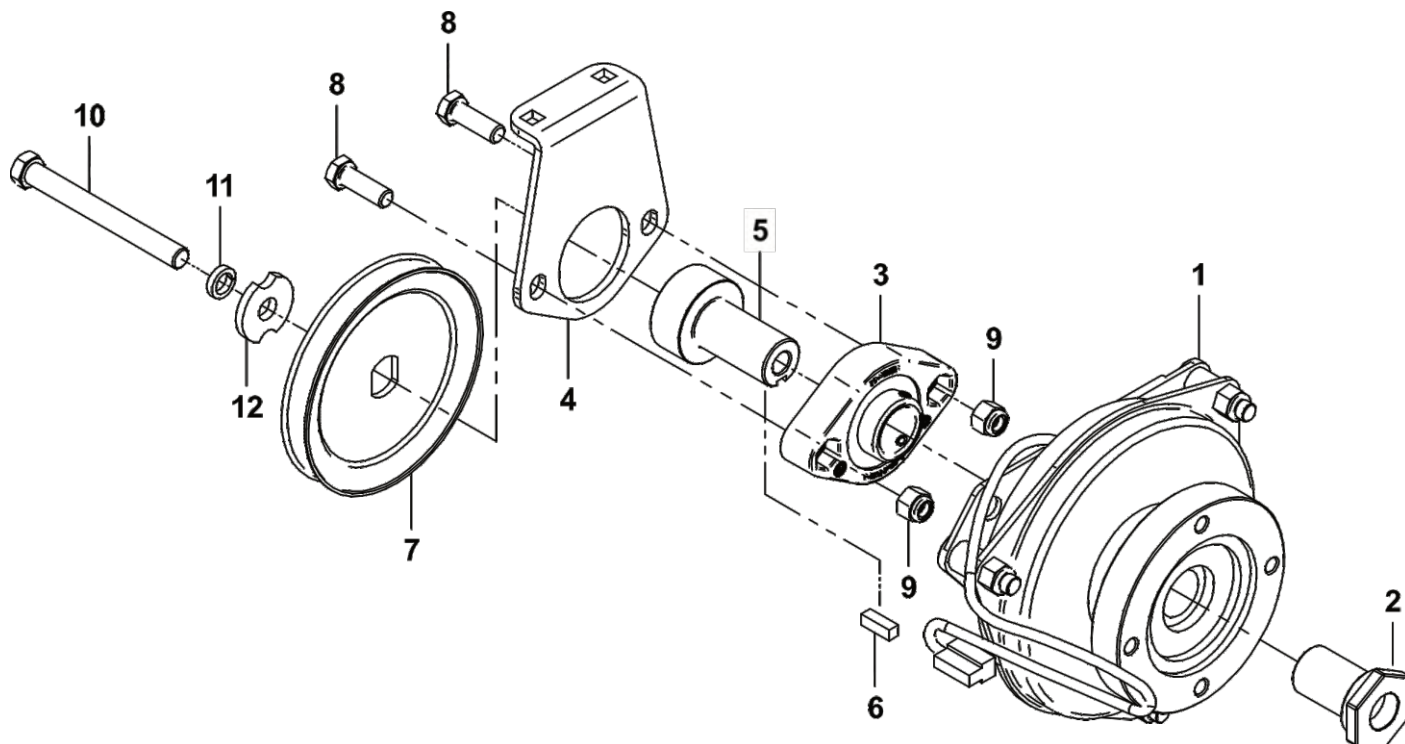
A2058 01 Gearbox Sub-Assembly Exploded Parts View

Item #	Part #	Desc.	Qty.
1	A2048	Clutch Flange	1
2	M0002	Gearbox	1
3	N0005	7/8" Pillow Block Bearing / Fenner	1
4	J0272	Woodruff Key #9	1
5	K0035	Set Screw 5/16"-18 x 1/4" Cup Point	1
6	K0428	HHCS 5/16"-24 x 1" GR8	1
7	K0043	Lock Washer 5/16"	1



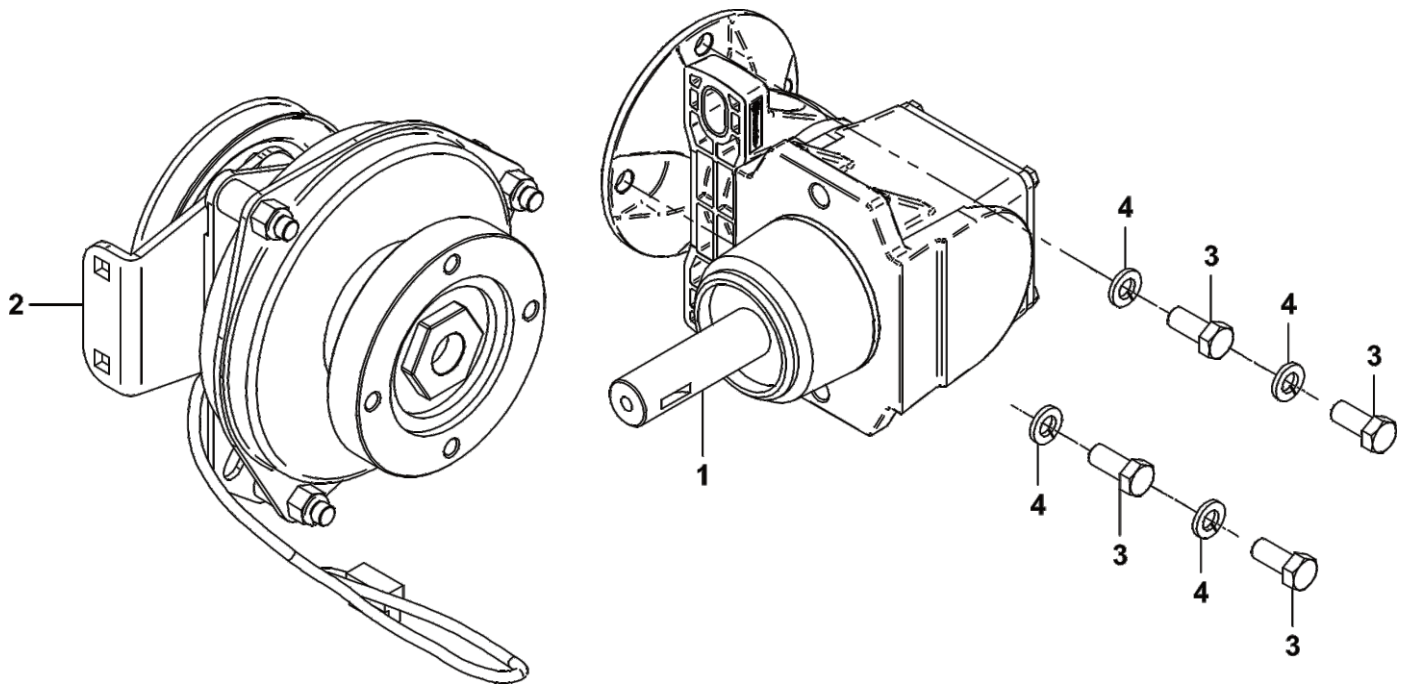
A2059 02 Clutch Sub-Assembly Exploded Parts View

Item #	Part #	Desc.	Qty.
1	M0001_01	Electric Clutch	1
2	S0007	Clutch Shaft (Rev 1)	1
3	N0004	Flange Bearing / 1" ID / 2-Bolt	1
4	B2217	Clutch Lower Bearing Mnt.	1
5	S0239	Eng. Pulley Bushing #41	1
6	K0076	Key 1/4" x 3/4" Long	1
7	M0309	A-Section Pulley / 4.75 OD (PTO-X)	1
8	K1510	HHCS 3/8"-16 x 1-1/8" GR5 Zinc	2
9	K1121	3/8"-16 Nyloc Nut GR5	2
10	K0359	HHCS / 7/16"-20 x 4" w/ Patch	1
11	K0140	Lock Washer 7/16" / High-Collar Helical Spring	1
12	K0278	Double Indented Washer 7/16" / 1.375 OD x .440 ID x .179 T	1



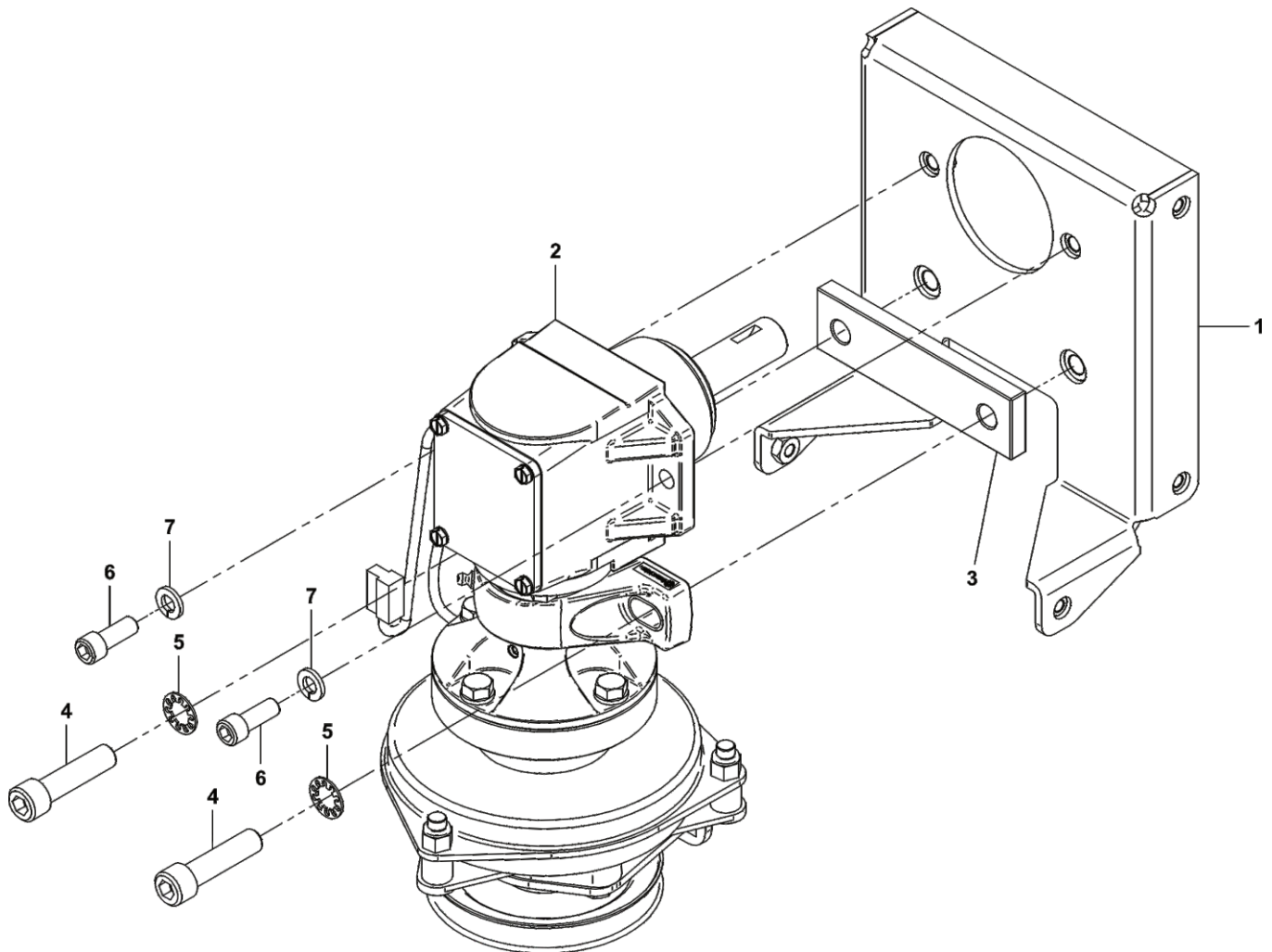
A2057 02 Drive Assembly Exploded Parts View

Item #	Part #	Desc.	Qty.
1	A2058_01	Gearbox Sub-Assy	1
2	A2059_02	Clutch Sub-Assy	1
3	K0343	HHCS 3/8"-16 x 7/8" GR8	4
4	K0048	Lock Washer 3/8"	4



A2060 02 Mounted Drive Assembly
Exploded Parts View

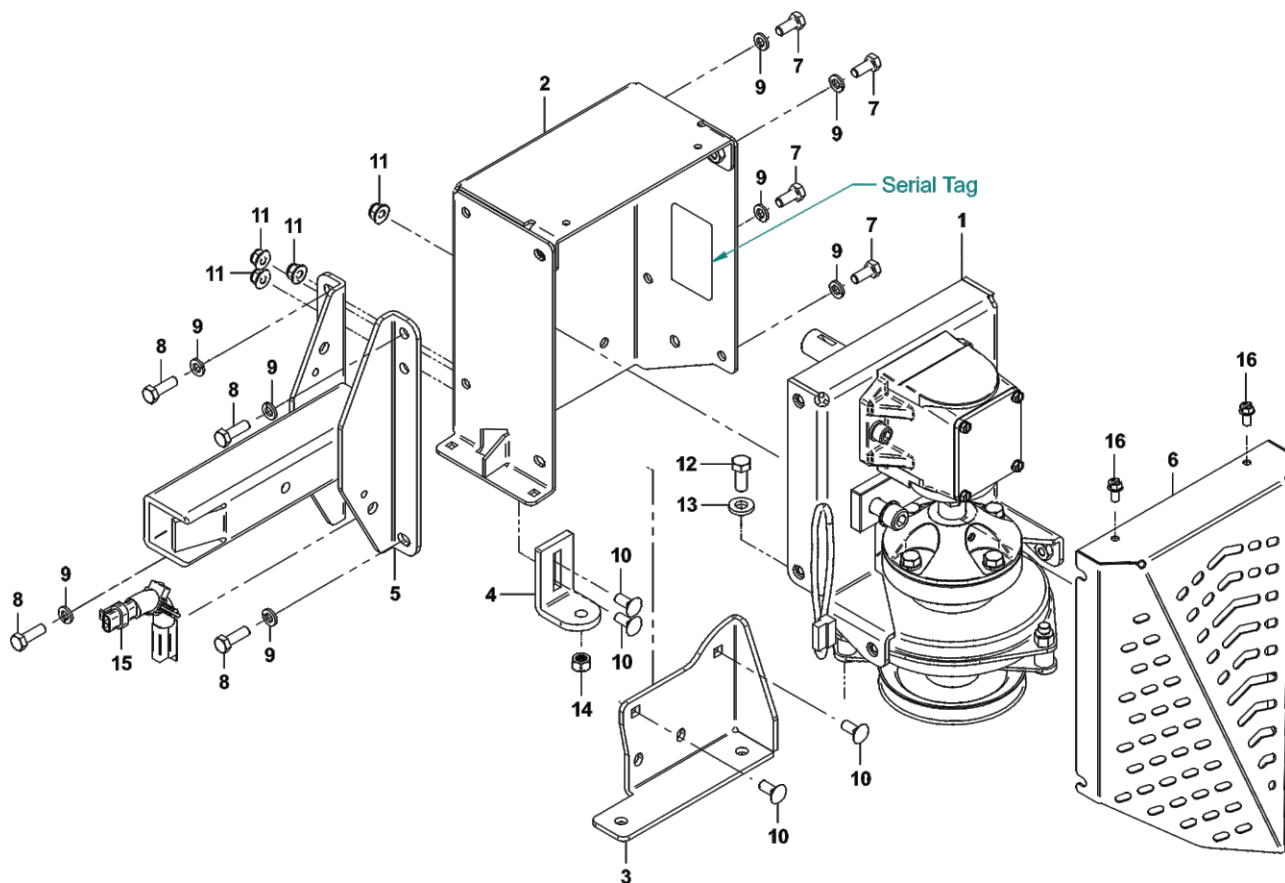
Item #	Part #	Desc.	Qty.
1	A2034	Drive Mnt Assy	1
2	A2057_02	Drive Assy	1
3	B0940	Spacer Plate	1
4	K1511	SHCS 1/2"-13 x 2" A574 Zinc	2
5	K0057	Lock Washer I/T 1/2" / Zinc	2
6	K1512	SHCS 3/8"-16 x 1" A574 Zinc	2
7	K0048	Lock Washer 3/8"	2



A2039 03 Base Drive Assembly

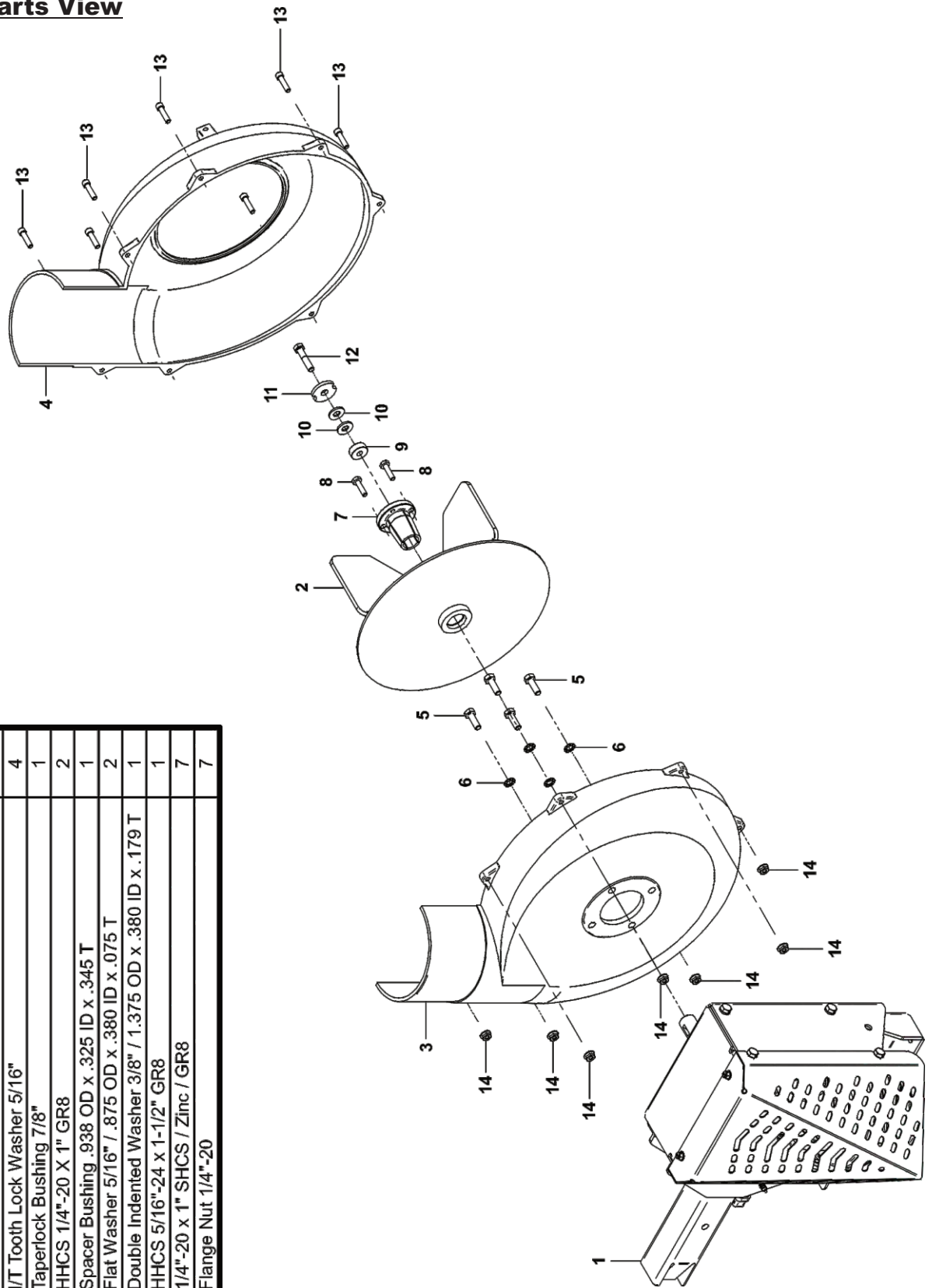
Exploded Parts View

Item #	Part #	Desc.	Qty.
1	A2060_02	Mounted Drive Assy	1
2	A2035_02	Housing Mnt Assy	1
3	B1100_01	Idler Assy Mount Plate	1
4	B0942_02	Anti-Rotation Brkt	1
5	A2032	Drive Arm Assy	1
6	B0938_01	Drive Guard	1
7	K1153	HHCS 5/16"-18 x 3/4"	4
8	K1154	HHCS 5/16"-18 x 1"	4
9	K0043	Lock Washer 5/16"	8
10	K1142	5/16"-18 x 3/4" Carriage Bolt	6
11	K2516	Ny-Flange Lock Nut 5/16"-18	6
12	K0343	HHCS 3/8"-16 x 7/8" GR8	1
13	K1477	Flat Washer / 3/8" / .406 ID x .812 OD x .125 Thk	1
14	K1476	Reverse Lock Nut / 3/8"-16 Grade C	1
15	P0271	Quick Connect Wire Harness	1
16	K0353	HWHTCS 1/4"-20 x 1/2"	2



A2061 03 Drive Assembly / 4 Blade Impeller

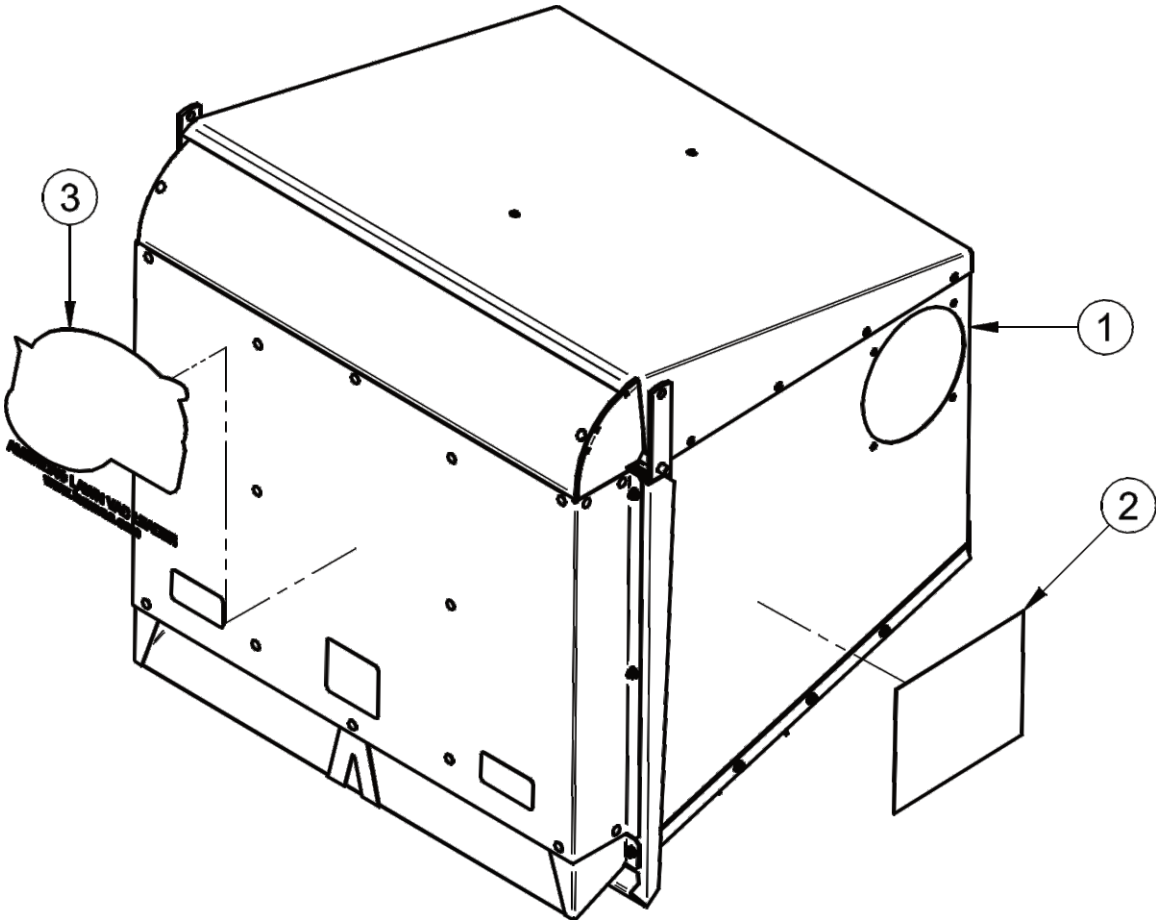
Exploded Parts View



Item #	Part #	Desc.	Qty.
1	A2039 03	Drive Assy / Base 1.5	1
2	A0645	4-Blade Impeller Weldment	1
3	E4052B	Blower Hsg Back	1
4	E4052F	Blower Hsg Front	1
5	K1154	HHCS 5/16"-18 x 1"	4
6	K0044	I/T Tooth Lock Washer 5/16"	4
7	S0157	Taperlock Bushing 7/8"	1
8	K1225	HHCS 1/4"-20 X 1" GR8	2
9	S0159	Spacer Bushing .938 OD x .325 ID x .345 T	1
10	K0042	Flat Washer 5/16" / .875 OD x .380 ID x .075 T	2
11	K0284	Double Indented Washer 3/8" / 1.375 OD x .380 ID x .179 T	1
12	K1465	HHCS 5/16"-24 x 1-1/2" GR8	1
13	K1401	1/4"-20 x 1" SHCS / Zinc / GR8	7
14	K1126	Flange Nut 1/4"-20	7

A2150 6512 Box Assembly / PECO

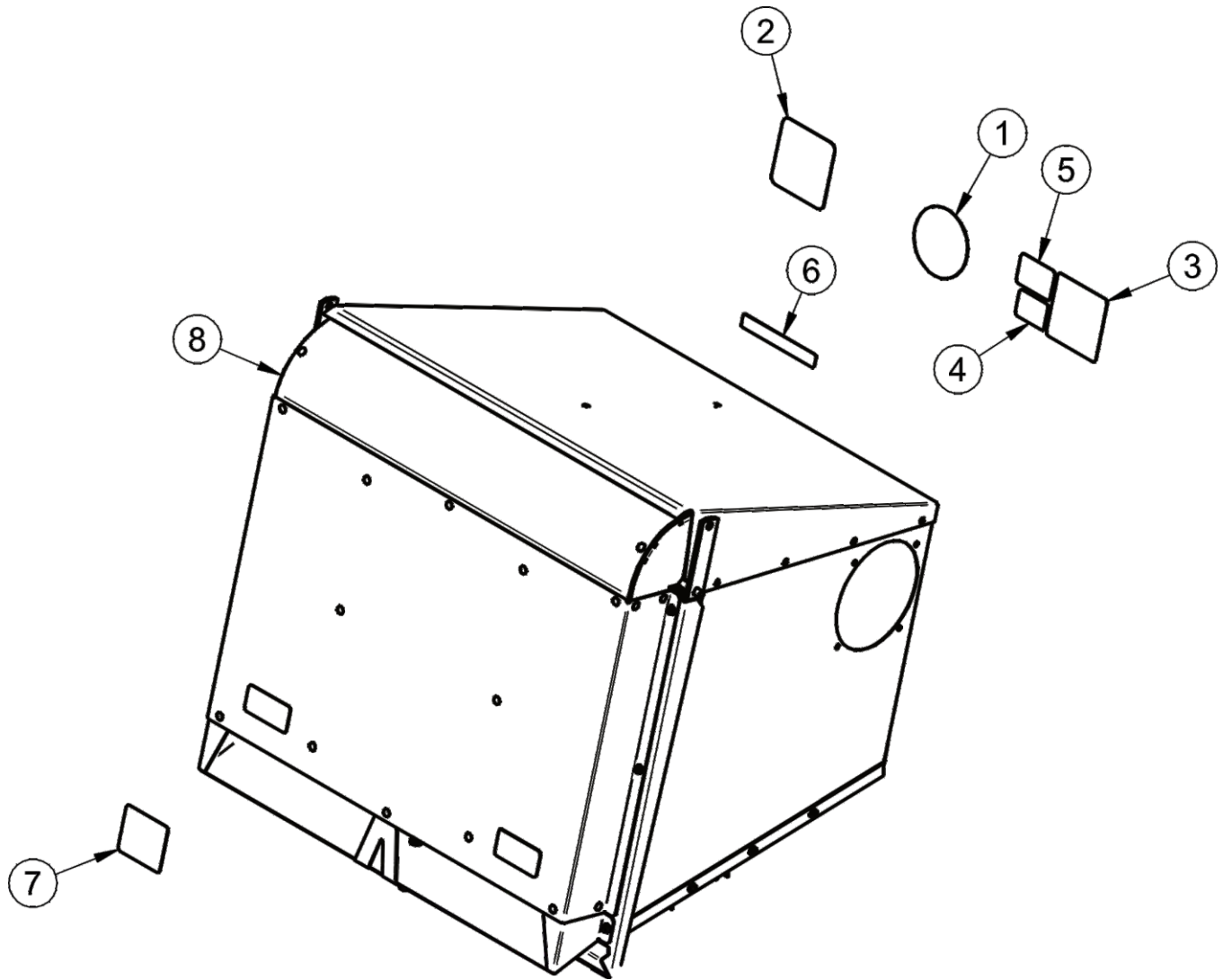
Exploded Parts View



Item #	Part #	Desc.	Qty.
1	A2100	6512 Box Assy.	1
2	R0030	Decal / PRO 12	1
3	R0028	PECO Logo / Large	1

A2100 6512 Box Assembly / Standard

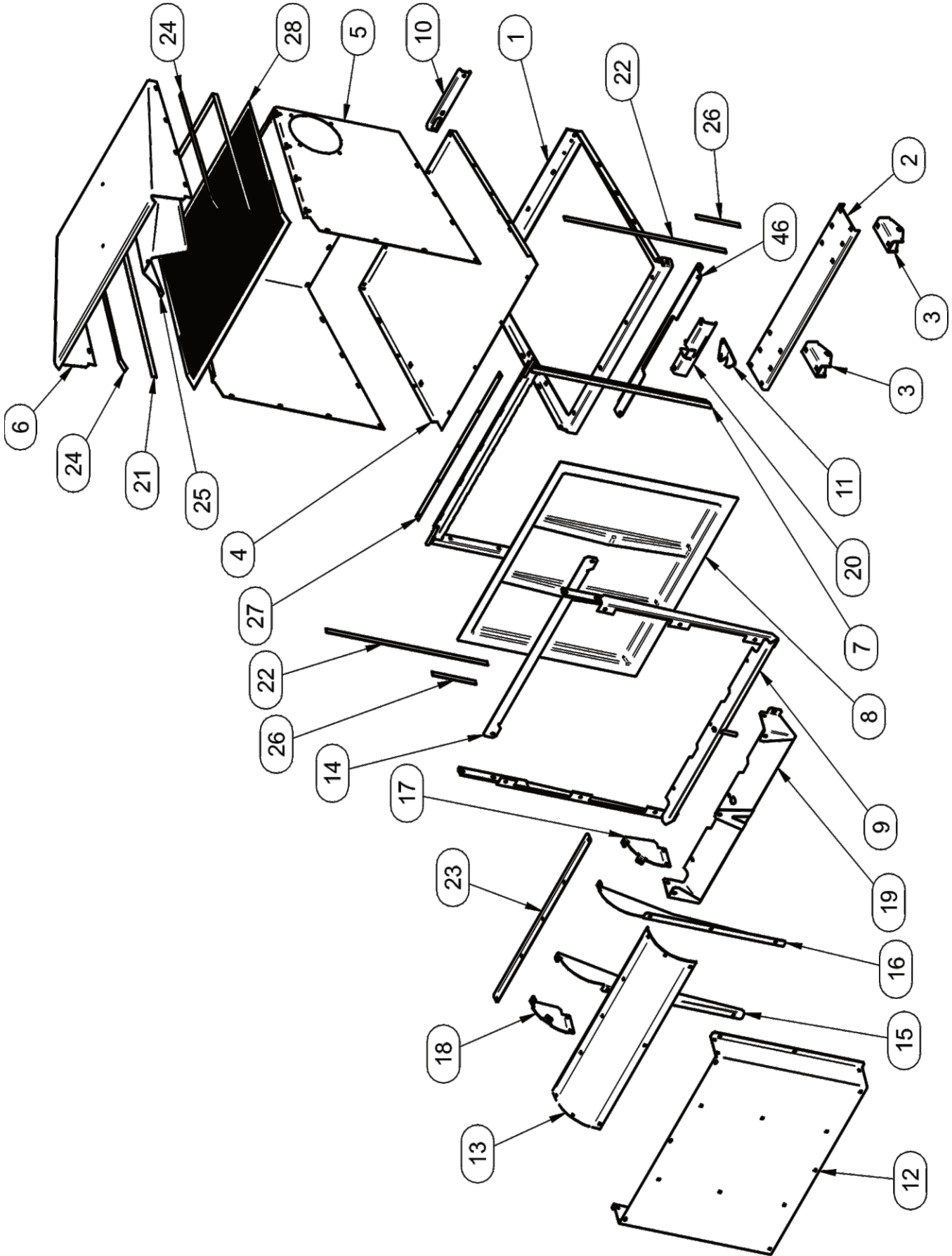
Exploded Parts View



Item #	Part #	Desc.	Qty.
1	R0022	Decal / Built In The USA / Lg	1
2	R0026	Decal / Operation	1
3	R1069	Decal / Warning - Turn Off Blower	1
4	R1051	Decal / Warning - Use Hearing Protection	1
5	R1054	Decal / Important Check Hoses	1
6	R1055	Decal / To Dump Grass	1
7	R1053	Decal / Caution	1
8	A2226	6512 Box Assy. / Base Model	1

A2226 6512 Box Assembly / Base Model

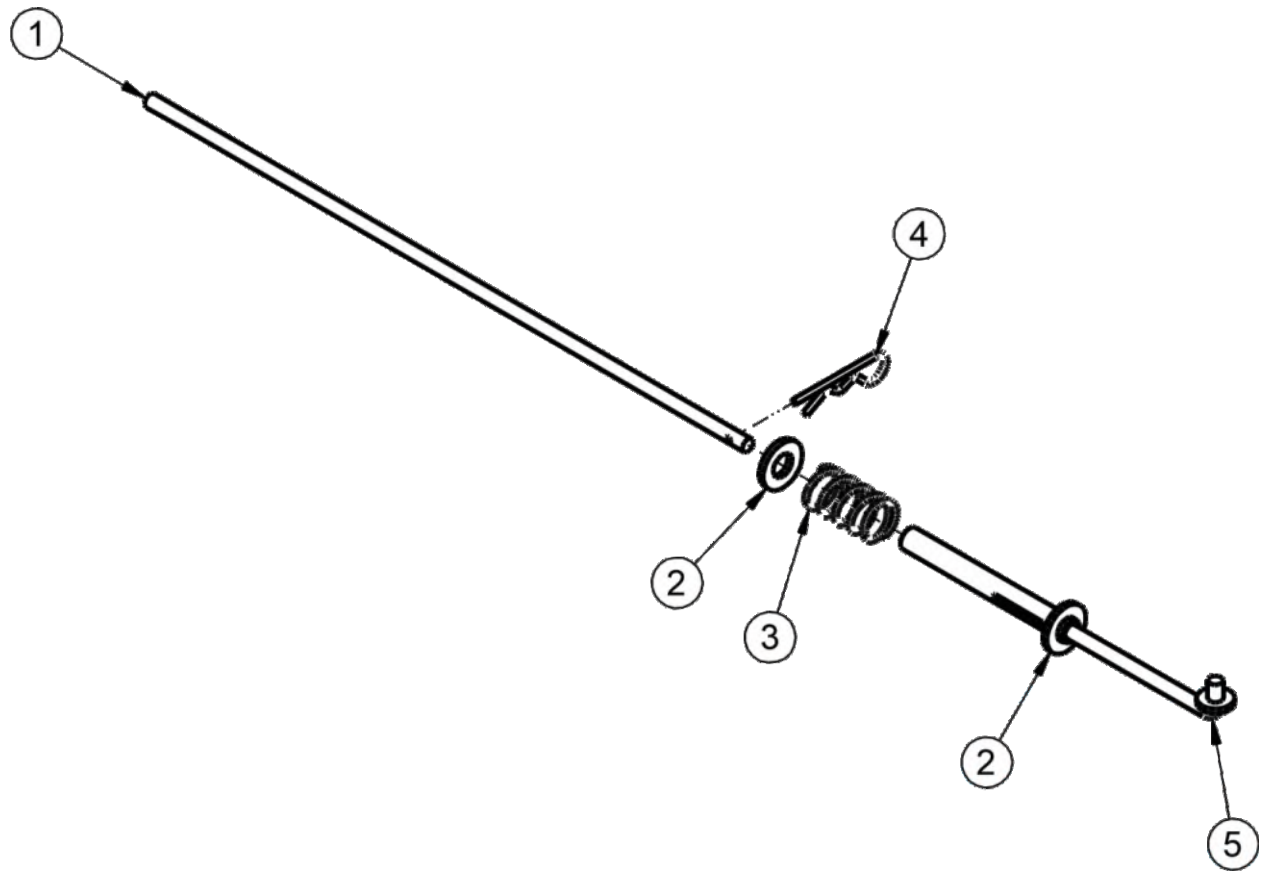
Exploded Parts View



A2226 6512 Box Assembly / Base Model**Exploded Parts List**

Item #	Part #	Desc.	Qty.
1	B1750	Base Frame	1
2	B1727	Base Frame Pivot Mount	1
3	B1574	Pivot Bracket	2
4	C0024	Box Bottom	1
5	C0080	Box Back & Sides	1
6	C0081	Box Top	1
7	A0938	Frame Weldment / Box Opening	1
8	V1131	12 Box Door	1
9	A0738	Frame Weldment / Door Stiffener	1
10	B1730	Latch Handle Mount Bracket	1
11	B0996	Latch Hook	1
12	C0075	Dust Diverter	1
13	V0051	Dust Flap	1
14	B3688	Upper Door Member	1
15	C0076	Left Dust Diverter Brace	1
16	C0077	Right Dust Diverter Brace	1
17	C0079	Right Outer Dust Flap Brace	1
18	C0078	Left Outer Dust Flap Brace	1
19	B0991	Dust Diverter Guard Bracket	1
20	A2104	Latch Mount Plate Assy.	1
21	V0052A	Dust Seal / Top Sides	1
22	V0052B	Dust Seal / Long Door Sides	2
23	B1006	Dust Flap Stiffener	1
24	B1007	Screen Clamp Strip / Side	2
25	C0087	Screen Support	1
26	V0052C	Dust Seal / Short Door Sides	2
27	B1008	Screen Clamp Strip / Rear Door	1
28	B8113	Screen / Steel Wire Mesh	1
46	B2021	Box Stop / 6512	1

A2107 Latch Rod Assembly
Exploded Parts View



Item #	Part #	Desc.	Qty.
1	B1000	Latch Rod / Hook Side	1
2	K0400	1/2" Flat Washer 1.084 OD x .528 ID x .120 T	1
3	J0303	Spring	1
4	K0086	Hair Pin Clip .125 OD x 2.50	1
5	A2106	Latch Rod Weldment	1

Unit Model #: 56651201

Mower: Spartan

Owner's Manual: Q0564

Mower Type: RT-Pro, RT-HD, SRI-XDe & SRI-XD (Check for Mower's w/ Oil Guard, will need A2325)

Deck Size: 54"

Vac Type: Pro 12

Deck Type:

Drive Type: PTO-X Driven

Revision #: 1 PTO-X 1.5 - 6/24/24 BS

Fits Year(s): 2018 & Newer



<p><input type="checkbox"/> A2316 Vac Kit</p> <ul style="list-style-type: none"> (1) C0088 Debris Deflector (1) C0074 Inlet Ring (Split Cut) (1) V0025 Plastic Inlet (1) A0897 Box Handle Assy. (1) B2031 Rt. Main Frame Leg (1) HB0831 Vac Kit HW Bag (1) A2150 12 Cu. Ft. Box Assy. (1) A1192 Main Frame Assy. (1) A0897 Box Handle Assy. (1) B2030 Lt. Main Frame Leg (1) HB0831 Vac Kit HW Bag (2) B2526 Door Linkage (1) A2107 Latch Rod Assy. 	<p><input type="checkbox"/> A2323 Mount Kit</p> <ul style="list-style-type: none"> (1) B2028 Left Frame Bracket (1) B2027 Rear Frame Bracket (1) B2029 Right Frame Bracket (2) B2034 Frame Connector (1) C0102 Frame Support (1) A2067_02 Idler Mount Assy. (1) B2032 Top / Mount Arm (1) B2037 Mount Arm / Gusset (1) B2033 Bottom / Mount Arm (1) A2061_03 Drive Assy W/ 4-Blade Impeller (1) E6009 8" Blower Cone (1) F0080-34 8" x 34" Lower Hose (1) F0060-32 6" x 32" Upper Hose (1) A2069_02 Belt Guard Assy. 	<p><input type="checkbox"/> A2313 Boot Kit</p> <ul style="list-style-type: none"> (1) B2036 RT/SRT Boot Plate (1) HB0453 Boot Kit HW Bag (1) B4331 Boot Rod (1) E0040 8" Boot (1) M0322 AK80 Belt (1) HB0829 Mount Kit HW Bag (1) HB0827 Wire Harness HW Bag (1) A2207 Mount Arm / Tube Assy. 	<p><input type="checkbox"/> A2162 Quad Weight Kit / Single Caster</p> <ul style="list-style-type: none"> (4) Y0025 28 lb. Weight (1) HB0713 Hardware Bag (1) B1015 Bracket (1) B1063 Quad Weight Bracket Base (1) B1015 Weight Bracket Clamp 	<p><input type="checkbox"/> A2121 Dual Weight Kit / Single Caster</p> <ul style="list-style-type: none"> (2) Y0025 28 lb. Weight (1) HB0687 Hardware Bag (1) B1015 Weight Bracket Clamp (1) B1014 Dual Weight Bracket Base
---	---	--	--	---



Unit Model #: 56651202

Mower: Spartan

Owner's Manual: Q0564

Mower Type: RT-Pro, RT-HD, SRI-XDe & SRI-XD (Check for Mower's w/ Oil Guard, will need A2325)

Deck Size: 61"

Vac Type: Pro 12

Deck Type:

Drive Type: PTO-X Driven

Revision #: 1 PTO-X 1.5 - 6/24/24 BS

Fits Year(s): 2018 & Newer

A2316 Vac Kit

- (1) C0088 Debris Deflector
- (1) C0074 Inlet Ring (Split Cut)
- (1) V0025 Plastic Inlet
- (1) A0897 Box Handle Assy.
- (1) B2031 Rt. Main Frame Leg
- (1) HB0831 Vac Kit HW Bag
- (1) A2150 12 Cu. Ft. Box Assy.
- (1) A1192 Main Frame Assy.
- (1) B2030 Lt. Main Frame Leg
- (2) B2526 Door Linkage
- (1) A2107 Latch Rod Assy.

A2323 Mount Kit

- (1) B2028 Left Frame Bracket
- (1) B2027 Rear Frame Bracket
- (1) B2029 Right Frame Bracket
- (2) B2034 Frame Connector
- (1) C0102 Frame Support
- (1) A2067_02 Idler Mount Assy.
- (1) B2032 Top / Mount Arm
- (1) B2037 Mount Arm / Gusset
- (1) B2033 Bottom / Mount Arm
- (1) A2061_03 Drive Assy W/ 4-Blade Impeller
- (1) E6009 8" Blower Cone
- (1) F0080-34 8" x 34" Lower Hose
- (1) F0060-32 6" x 32" Upper Hose
- (1) A2069_02 Belt Guard Assy.
- (1) A2207 Mount Arm / Tube Assy.
- (1) HB0828 Engine Pulley HW Bag
- (1) M0322 AK80 Belt
- (1) HB0829 Mount Kit HW Bag
- (1) HB0827 Wire Harness HW Bag
- (2) J0060 6" Hose Clamps
- (2) J0080 8" Hose Clamps

A2314 Boot Kit

- (1) HB0453 Boot Kit HW Bag
- (1) B2036 RT/SRT Boot Plate
- (1) B4331 HW Bag
- (1) E0042 8" Boot
- (1) SRT
- (1) Boot Rod

A2162 Quad Weight Kit / Single Caster

- (4) Y0025 28 lb. Weight
- (1) HB0713 Hardware Bag
- (1) B1015 Bracket
- (1) B1063 Quad Weight Bracket Base
- (1) B1015 Weight Bracket Clamp

A2121 Dual Weight Kit / Single Caster

- (2) Y0025 28 lb. Weight
- (1) HB0687 Hardware Bag
- (1) B1015 Weight Bracket Clamp
- (1) B1014 Dual Weight Bracket Base

Unit Model #: 56651203

Mower: Spartan

Owner's Manual: Q0564

Mower Type: RT-Pro, RT-HD, SRI-XDe & SRI-XD (Check for Mower's w/ Oil Guard, will need A2325)

Deck Size: 72"

Vac Type: Pro 12

Deck Type:

Drive Type: PTO-X Driven

Revision #: 1 PTO-X 1.5 - 6/24/24 BS

Fits Year(s): 2018 & Newer



<p><input type="checkbox"/> A2316 Vac Kit</p> <ul style="list-style-type: none"> (1) C0088 Debris Deflector (1) C0074 Inlet Ring (Split Cut) (1) V0025 Plastic Inlet (1) A0897 Box Handle Assy. (1) B2031 Rt. Main Frame Leg (1) HB0831 Vac Kit HW Bag (1) A2150 12 Cu. Ft. Box Assy. (1) A1192 Main Frame Assy. (1) A0897 Box Handle Assy. (1) B2030 Lt. Main Frame Leg (1) HB0831 Vac Kit HW Bag (2) B2526 Door Linkage (1) A2107 Latch Rod Assy. 	<p><input type="checkbox"/> A2323 Mount Kit</p> <ul style="list-style-type: none"> (1) B2028 Left Frame Bracket (1) B2027 Rear Frame Bracket (1) B2029 Right Frame Bracket (2) B2034 Frame Connector (1) C0102 Frame Support (1) A2067_02 Idler Mount Assy. (1) B2032 Top / Mount Arm (1) B2037 Mount Arm / Gusset (1) B2033 Bottom / Mount Arm (1) A2061_03 Drive Assy W/ 4-Blade Impeller (1) E6009 8" Blower Cone (1) F0080-34 8" x 34" Lower Hose (1) F0060-32 6" x 32" Upper Hose (1) A2069_02 Belt Guard Assy. 	<p><input type="checkbox"/> A2315 Boot Kit</p> <ul style="list-style-type: none"> (1) E0042 8" Boot (1) HB0828 Engine Pulley HW Bag (1) M0322 AK80 Belt (1) HB0829 Mount Kit HW Bag (1) HB0827 Wire Harness HW Bag (1) A2207 Mount Arm / Tube Assy. 	<p><input type="checkbox"/> A2162 Quad Weight Kit / Single Caster</p> <ul style="list-style-type: none"> (4) Y0025 28 lb. Weight (1) HB0713 Hardware Bag (1) B1015 Bracket Clamp (1) B1063 Quad Weight Bracket Base (1) B1015 Bracket Clamp 	<p><input type="checkbox"/> A2121 Dual Weight Kit / Single Caster</p> <ul style="list-style-type: none"> (2) Y0025 28 lb. Weight (1) HB0687 Hardware Bag (1) B1015 Weight Bracket Clamp (1) B1014 Dual Weight Bracket Base
---	---	--	---	---

Unit Model #: A2325

Mower: Spartan

Owner's Manual: Q0564

Mower Type: RT-Pro, RT-HD, SRT-XDe & SRT-XD w/ Oil Guard System

Deck Size: 54", 61" & 72"

Vac Type: Pro 12

Deck Type:

Drive Type: PTO-X Driven

Revision #: 0

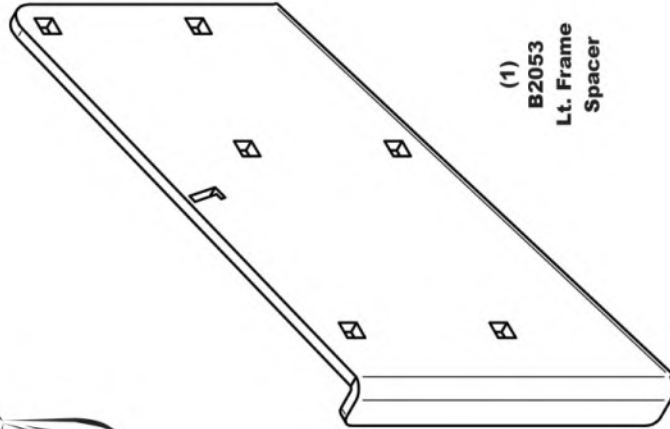
Fits Year(s): 2018 & Newer



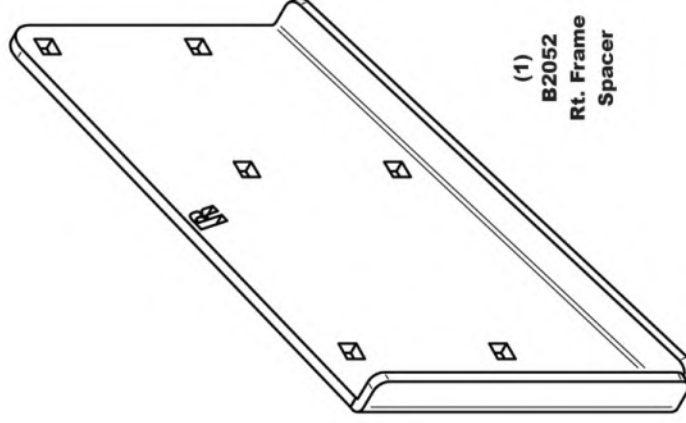
Frame Spacer Kit

(1)
HB0837

Frame Spacer Kit
HW Bag



(1)
B2053
Lt. Frame
Spacer



(1)
B2052
Rt. Frame
Spacer

SAFETY DECALS

To promote safe operation, New PECO, Inc. supplies safety decals on all products manufactured. Damage can occur to safety decals either through shipment, use or reconditioning. Contact your local Service Center for replacement decals.



Part# R1070
PECO Logo



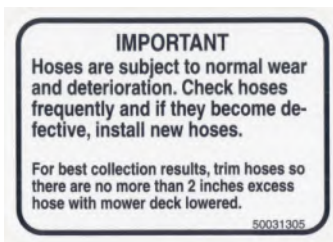
Part# R0022
Designed & Built
In The USA



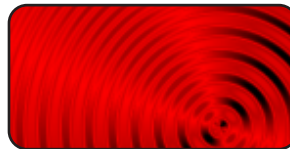
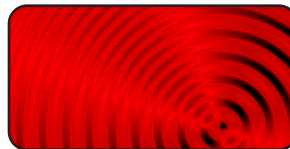
Part #: R2007
Danger - Never Use Hands



Part #: R2008
Danger - Rotating Blades



Part #: R1054
Important - Hose Wear



Part #: R1057 - (2)
Red Reflectors



Part #: R1069
Warning - Turn Off Blower



Part # R0024
Danger - Keep Hands
Clear



Part #: R1051
Warning - Hearing Protection



Part # R0025
Danger - Rotating
Blades

SECTION III OPERATING INSTRUCTIONS

General Safety

Only qualified people familiar with this operator's manual and the mower's operator's manual should operate this machine.

Operation And Tips On Mowing

- A. Perform BEFORE EACH USE the maintenance list referenced in Section IV.
- B. Start mower.
- C. With the mower at high idle speed, engage the mower deck.
- D. While seated in the operator's seat, move Bagger PTO switch to the on position. With the PTO assembly engaged, you can proceed to operate the control levers of the mower.

NOTE: If the collection system does not appear to be collecting the grass clippings, disengage the deck and PTO assembly, then, engage the parking brake and turn the mower off. Check upper and lower hoses for any clogs.

To obtain the maximum effectiveness from your collection system, the tips listed below should be followed:

- * Watch your speed- Normal conditions will allow a speed of up to approximately 4 mph, but thick, heavy damp conditions will require reduced ground speed.
- * Mow with sharp blades- A sharp blade cuts cleaner.
- * Wet grass and leaves will decrease effectiveness and will increase horsepower requirements.
- * Mow at higher cutting heights- Remove and mulch no more than 2" of grass length with each mowing. (Experts recommend not cutting off more than 1/3 of the grass blade length at any given time.)
- * Mow twice, at different height settings, (high, then low), if grass is extra tall.
- * Remember that horsepower requirements will vary with the mowing conditions such as type and height of turf grass, moisture content, amount of leaves, whether the terrain is flat or hilly, etc.

Disengagement Of The PTO Assembly

- A. To disengage the PTO assembly, move Bagger PTO switch to the off position.

WARNING: DO NOT TOUCH the PTO assembly, pulleys, or the belt until the tractor is turned off.

Unloading The Collection System

- A. Stop the forward movement of the mower, engage the parking brake.
- B. Disengage the mower deck.
- C. Disengage the blower.
- D. Verify that the dump area is clear.
- E. Push the dump handle, on the left of the operator, away from the unit. While holding the handle pushed away, move the handle upward. The container door will swing upward and the container will rotate downward. The container will release its contents.
- F. Once the contents of the container have fallen out, the container is ready to move back into its normal operating position. Pull the handle downward until positive latching is achieved.

NOTE: Do not allow collection system to become over-filled as potential damage may occur to your equipment. Also, be sure to clean the screen as needed.

SECTION IV MAINTENANCE

Maintenance Checklist

Before each use:

1. Check blades and spindles to be sure that no foreign objects, such as wire or steel strapping bands, are wrapped around them.
2. Inspect blades for wear. Replace if necessary. If it is necessary to sharpen the blades, remove the blades from the spindles before sharpening. DO NOT sharpen blades while still attached to the mower.

3. Make sure all shields are in place and in good condition. Repair or replace any missing or damaged shields.
4. Perform lubrication per instructions.
5. Listen for abnormal sounds, which might indicate loose parts, damaged bearings, or other damage. Correct any deficiency before continuing operation.
6. With the engine off, engage the blower assembly. Check the belt tension and inspect the pulley belt for cracks or tears.
7. Check for wear or deterioration of the upper or lower hoses. If there are any portions of the hose that have been torn or worn through, replace immediately.

After Each Use:

1. Clean all debris from machine especially from the container, underneath the belt shields, and safety decals. Replace any missing or illegible decals.
2. Inspect the unit for worn or damaged components. Repair or replace before the next use. Any replacement component installed during repair shall include the component's current safety decal specified by the manufacturers to be affixed to the component.
3. Under normal usage, the collection unit is subject to deterioration and wear. Inspect the unit for worn or damaged components. Repair or replace before the next use. Any replacement component installed during repair shall include the component's current safety decal specified by the manufacturers to be affixed to the component.
4. Check belt for proper tension.

Lubrication

Gearbox:

NOTE: The gearbox is filled with 6.0 oz. of Mobilube HD Plus 80W-90 oil and permanently sealed. There is no need for scheduled lubrication. The oil level should only be checked if a leak is observed or if a change in gearbox noise is noticed.

Operators are recommended to check for leaks weekly, if a leak is observed, both the gasket and the seals are recommended to be replaced.

Replace the oil using 5.5 oz. of the recommended Mobilube HD Plus 80W-90 oil. Be sure to not overfill.

Blower Assembly:

NOTE: The following is for older PTO models that contain a greaseable zerk fitting. Newer models contain maintenance-free bearings and are without a greasable fitting.

1. On initial use: Grease the fitting on the blower shaft.
2. Every 25 hours of use: Re-grease the grease fitting.

NOTE: Use only white lithium based grease for lubrication of the shaft on the blower assembly.

SECTION V - PARTS & SERVICE

Parts And Service Information

Collection system owners should record the name and telephone number of their Service Center. Your Service Center will be happy to supply replacement parts, accessories, and do any service or repairs to your collection system. If for any reason your Service Center is unable to service your collection system or supply replacement parts, contact New PECO, Inc. and include the following information on the chart below.

DOCUMENT THE FOLLOWING INFORMATION FOR FUTURE REFERENCE

Unit Model Number: _____

Unit Engine Size: _____

Unit Serial Number: _____

Date of purchase: _____ / _____ / _____

Dealer/Distributor Name: _____

Address: _____ **State:** _____ **Zip:** _____

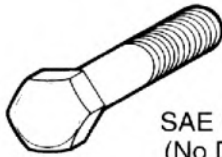
Phone Number: _____

New PECO, Inc.
10 Walden Dr | Arden, North Carolina 28704
Phone: 1-800-438-5823 | 828-684-1234
Fax: 828-684-0858
Email: peco@lawnvac.com
Website: www.lawnvac.com

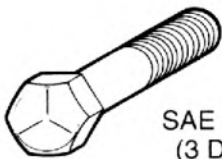
TORQUE SPECIFICATIONS

Proper torque for American fasteners used on Peco equipment.
Recommended Torque in Foot Pounds (Newton Meters).*

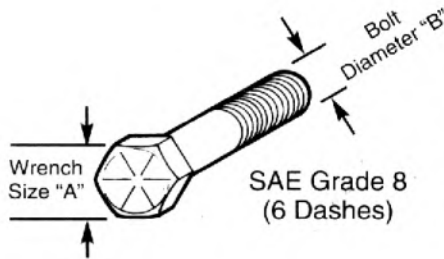
AMERICAN Bolt Head Markings



SAE Grade 2
(No Dashes)



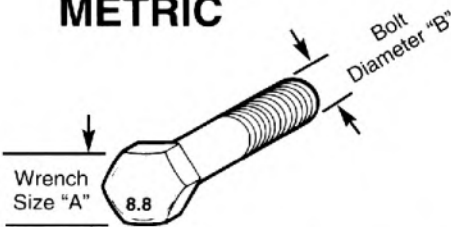
SAE Grade 5
(3 Dashes)



SAE Grade 8
(6 Dashes)

WRENCH SIZE (IN.) "A"	BOLT DIAMETER (IN.) "B" AND THREAD SIZE	SAE GRADE 2	SAE GRADE 5	SAE GRADE 8
7/16	1/4 - 20 UNC	6 (7)	8 (11)	12 (16)
7/16	1/4 - 28 UNF	6 (8)	10 (13)	14 (18)
1/2	5/16 - 18 UNC	11 (15)	17 (23)	25 (33)
1/2	5/16 - 24 UNF	13 (17)	19 (26)	27 (37)
9/16	3/8 - 16 UNC	20 (27)	31 (42)	44 (60)
9/16	3/8 - 24 UNF	23 (31)	35 (47)	49 (66)
5/8	7/16 - 14 UNC	32 (43)	49 (66)	70 (95)
5/8	7/16 - 20 UNF	36 (49)	55 (75)	78 (106)
3/4	1/2 - 13 UNC	49 (66)	76 (103)	106 (144)
3/4	1/2 - 20 UNF	55 (75)	85 (115)	120 (163)
7/8	9/16 - 12 UNC	70 (95)	109 (148)	153 (207)
7/8	9/16 - 18 UNF	79 (107)	122 (165)	172 (233)
15/16	5/8 - 11 UNC	97 (131)	150 (203)	212 (287)
15/16	5/8 - 18 UNF	110 (149)	170 (230)	240 (325)
1-1/8	3/4 - 10 UNC	144 (195)	266 (360)	376 (509)
1-1/8	3/4 - 16 UNF	192 (260)	297 (402)	420 (569)
1-5/16	7/8 - 9 UNC	166 (225)	430 (583)	606 (821)
1-5/16	7/8 - 14 UNF	184 (249)	474 (642)	668 (905)
1-1/2	1 - 8 UNC	250 (339)	644 (873)	909 (1232)
1-1/2	1 - 12 UNF	274 (371)	705 (955)	995 (1348)
1-1/2	1 - 14 UNF	280 (379)	721 (977)	1019 (1381)
1-11/16	1-1/8 - 7 UNC	354 (480)	795 (1077)	1288(1745)
1-11/16	1-1/8 - 12 UNF	397 (538)	890 (1206)	1444 (1957)
1-7/8	1-1/4 - 7 UNC	500 (678)	1120 (1518)	1817 (2462)
1-7/8	1-1/4 - 12 UNF	553 (749)	1241 (1682)	2013 (2728)
2-1/16	1-3/8 - 6 UNC	655 (887)	1470 (1992)	2382 (3228)
2-1/16	1-3/8 - 12 UNF	746 (1011)	1672 (2266)	2712 (3675)
2-1/4	1-1/2 - 6 UNC	870 (1179)	1950 (2642)	3161 (4283)
2-1/4	1-1/2 - 12 UNF	979 (1327)	2194 (2973)	3557 (4820)

METRIC



Numbers appearing on bolt heads indicate ASTM class.

Proper torque for metric fasteners used on Peco equipment.
Recommended torque in foot pounds (newton Meters).*

WRENCH SIZE (mm) "A"	BOLT DIA. (mm) "B"	ASTM 4.6	ASTM 8.8	ASTM 9.8	ASTM 10.9
8	5	1.8 (2.4)		5.1 (6.9)	6.5 (8.8)
10	6	3 (4)		8.7 (12)	11.1 (15)
13	8	7.3 (10)		21.1 (29)	27 (37)
16	10	14.5 (20)		42 (57)	53 (72)
18	12	25 (34)	74 (100)	73 (99)	93 (126)
21	14	40 (54)	118 (160)	116 (157)	148 (201)
24	16	62 (84)	167 (226)	181 (245)	230 (312)
30	20	122 (165)	325 (440)		449 (608)
33	22		443 (600)		611 (828)
36	24	211 (286)	563 (763)		778 (1054)
41	27		821 (1112)		1138 (1542)
46	30	418 (566)	1119 (1516)		1547 (2096)

*Use 75% of the specified torque value for plated fasteners. Use 85% of the specified torque values for lubricated fasteners.

Troubleshooting

2017 (v1.0)

Collection System Performance

Problem	Possible Cause	Corrective Action
Abnormal Vibration	<ul style="list-style-type: none">• Cutting blades are bent or unbalanced• Loose blower pulley or pulley assembly• Impeller blade out of balance	<ul style="list-style-type: none">• Install new cutting blade• Tighten the pulley• Contact dealer to replace
Reduced collection system performance	<ul style="list-style-type: none">• Low engine speed• Plugged screen• Loose belt• Full collection bags	<ul style="list-style-type: none">• Always operate collection system at full throttle• Remove debris, leaves, or grass clippings from the screen• Replace/tighten belt• Empty the collection bags
Blower and hoses plugging too frequently	<ul style="list-style-type: none">• Collection bags are too full• Low engine speed• Grass is too wet• Grass is too long• Ground speed is too fast• Worn belt• Loose belt	<ul style="list-style-type: none">• Dump more frequently• Always operate collection system at full throttle• Cut grass when it is dry• Cut the grass several times• Drive slower at full throttle• Replace belt• Adjust the pulley and tighten belts
Debris blowout	<ul style="list-style-type: none">• Collection bags are too full• Plug/clog in the collection system• Ground speed is too fast	<ul style="list-style-type: none">• Dump more frequently• Clean the collection system• Drive more slowly at full throttle
Impeller doesn't rotate freely	<ul style="list-style-type: none">• Plug in the blower housing• Worn impeller blade• Shaft bearings bad/failing	<ul style="list-style-type: none">• Clean the blower housing• Contact dealer to replace• Contact dealer to replace



New PECO, Inc.

10 Walden Dr | Arden, North Carolina 28704

Phone: 1-800-438-5823 | 828-684-1234

Fax: 828-684-0858

Email: peco@lawnvac.com

Website: www.lawnvac.com