



Unit Model #: 38651201

Mower: Dixie Chopper Eagle / Jacobsen ZT900

Owner's Manual: Q0541

Mower Type: 2754KW, 2754KOE, 2760KW & 2760KOE

Deck Size: 54" & 60"

Vac Type: 12 Cubic Foot Pro 12 DFS

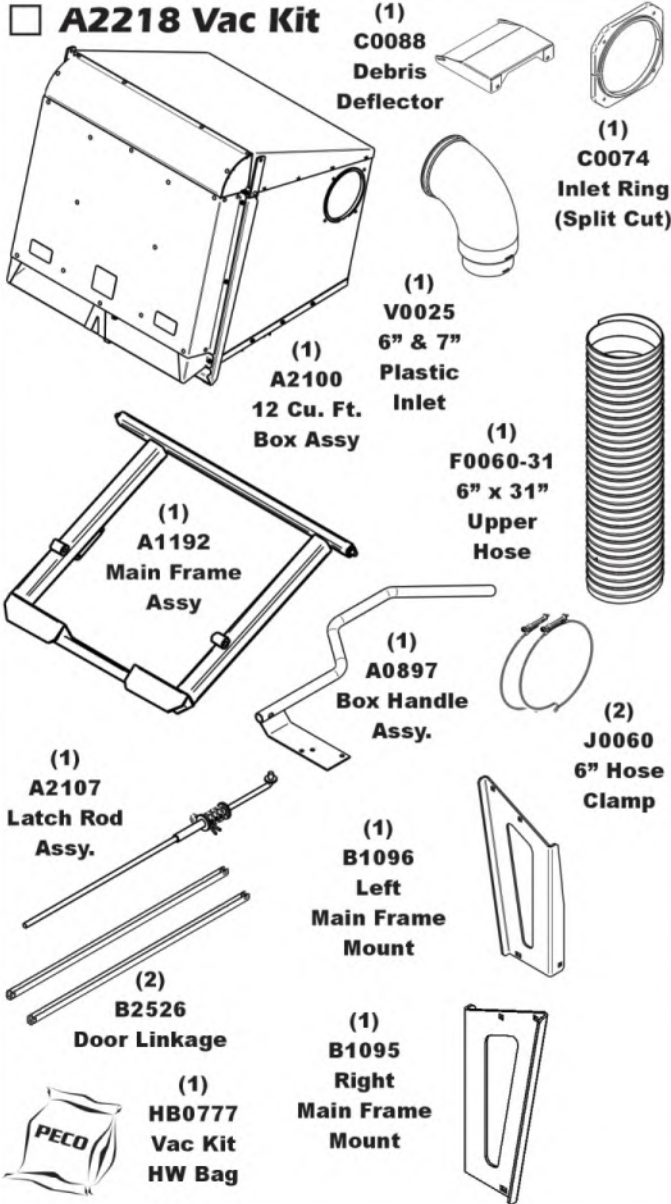
Deck Type:

Drive Type: PTO-X Drive

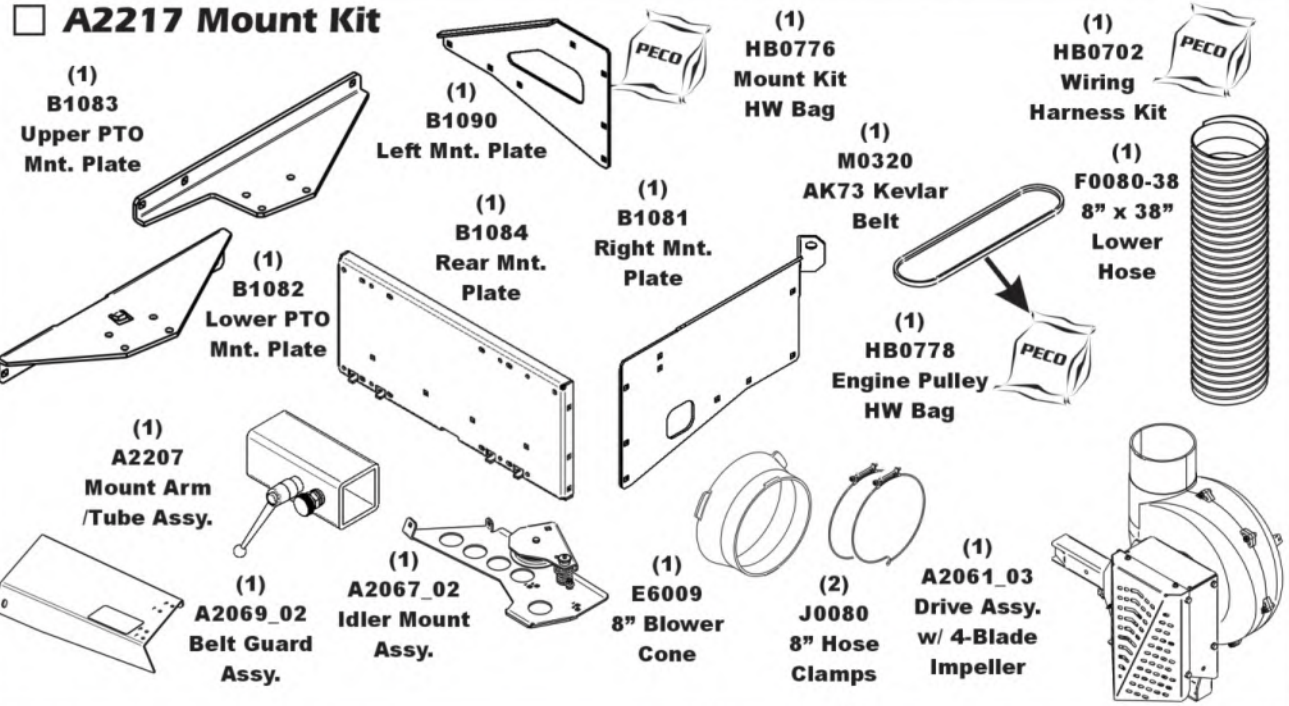
Revision #: 2 - PTO-X 1.5 - 7/23/24 - BS

Fits Year(s): 2018 - Newer

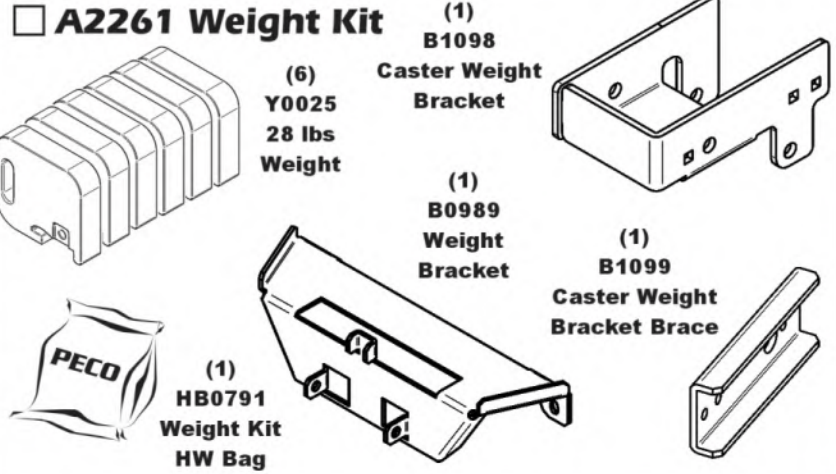
☐ A2218 Vac Kit



☐ A2217 Mount Kit



☐ A2261 Weight Kit



☐ A2130 Boot Kit

