



Unit Model #: 38651203

Mower: Dixie Chopper Eagle HP / Jacobsen ZT1000

Owner's Manual: Q0588

Mower Type:

Deck Size: 72"

Vac Type: (12 Cu-Ft) Pro 12 DFS

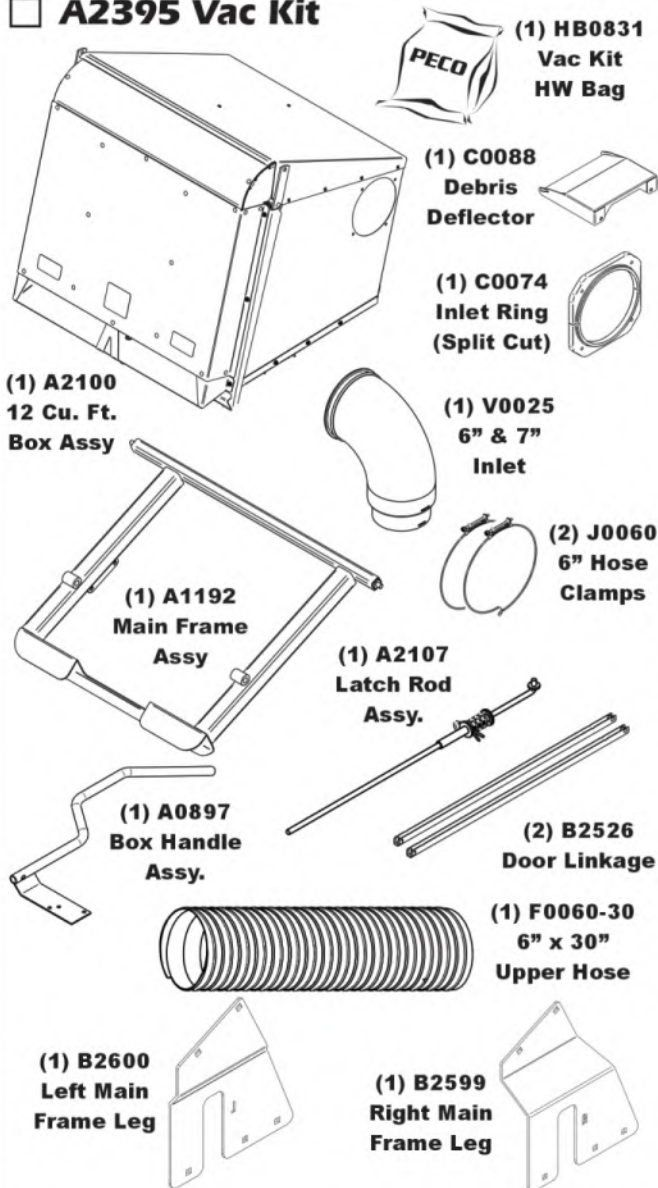
Deck Type:

Drive Type: PTO-X Drive

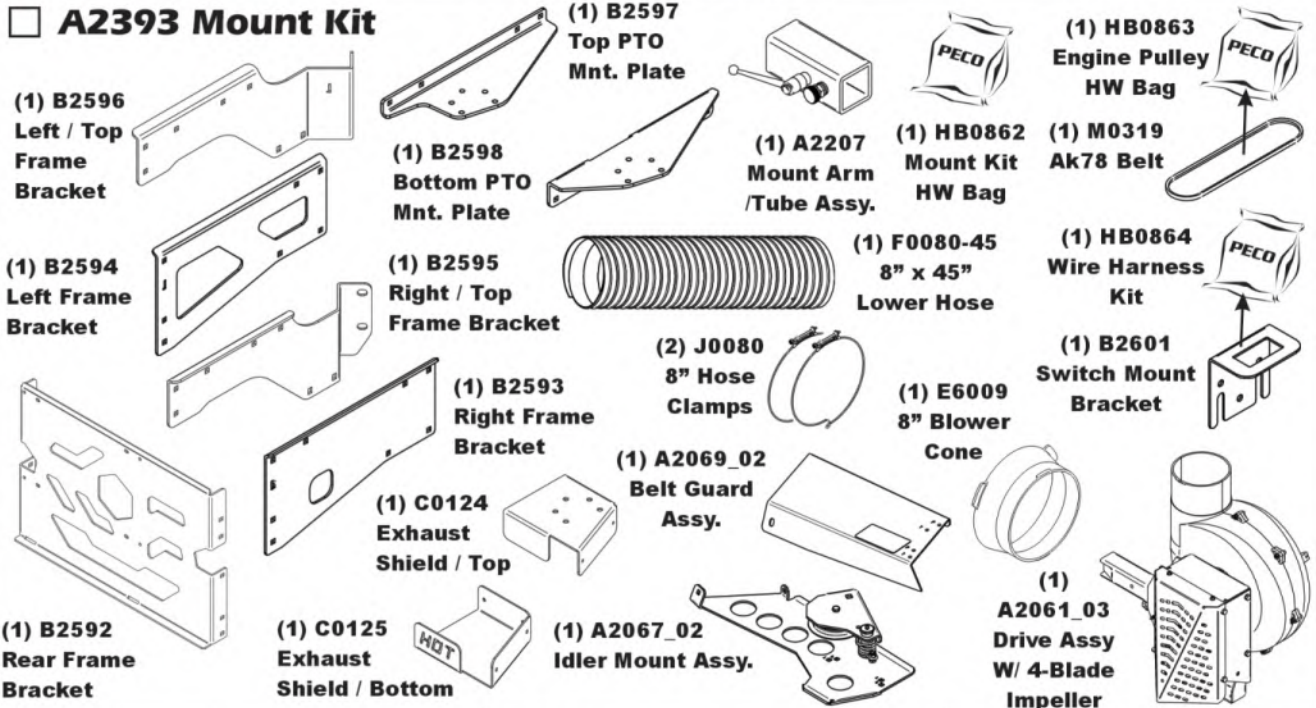
Revision #: 1 - PTOX 1.5 - BS 7/18/24

Fits Year(s): 2021 - Newer

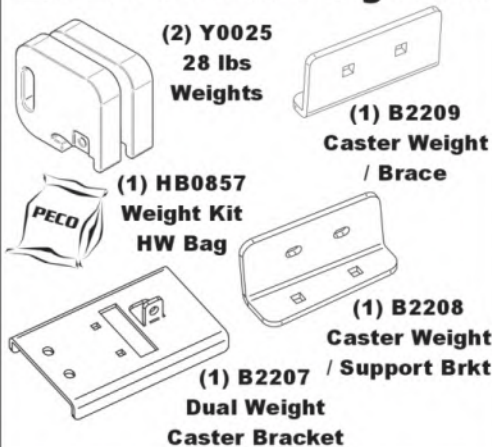
A2395 Vac Kit



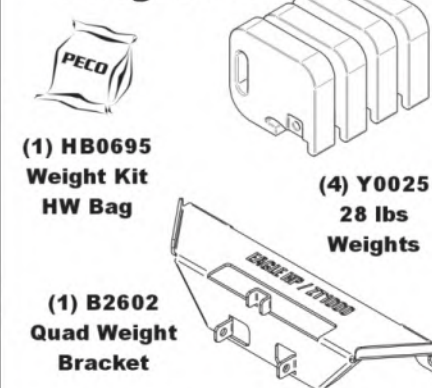
A2393 Mount Kit



A2375 Dual Weight Kit



A2376 Quad Weight Kit



A2450 Boot Kit

