



Unit Model #: 56131502

Mower: Spartan

Owner's Manual: Q0563

Mower Type: RT-Pro, RT-HD, SRT-XDe & SRT-XD

Deck Size: 61"

Vac Type: P3B (15 Cu. Ft.)

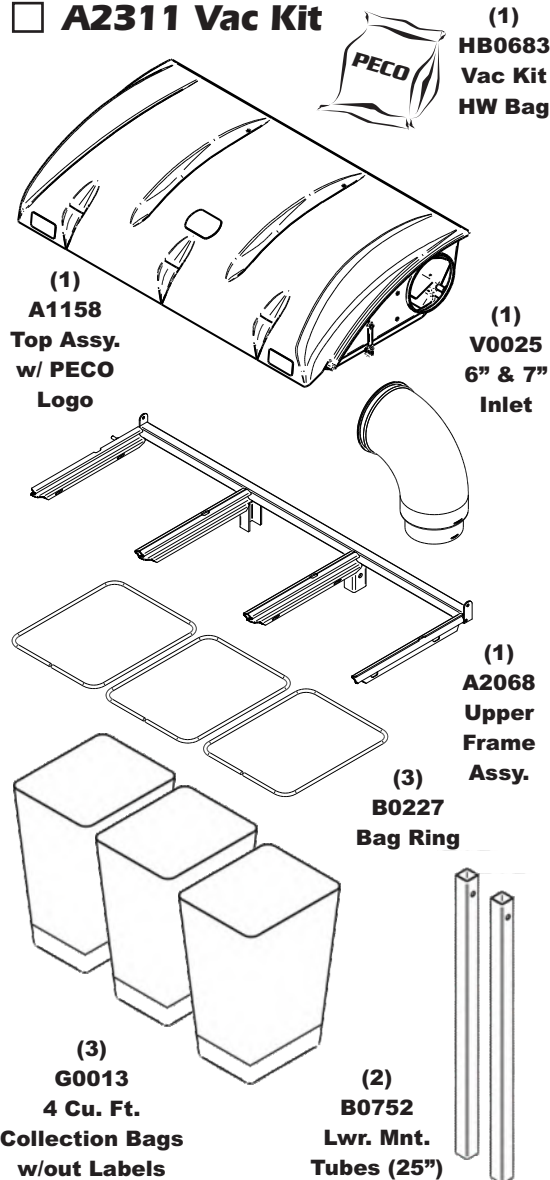
Deck Type:

Drive Type: PTO-X Driven

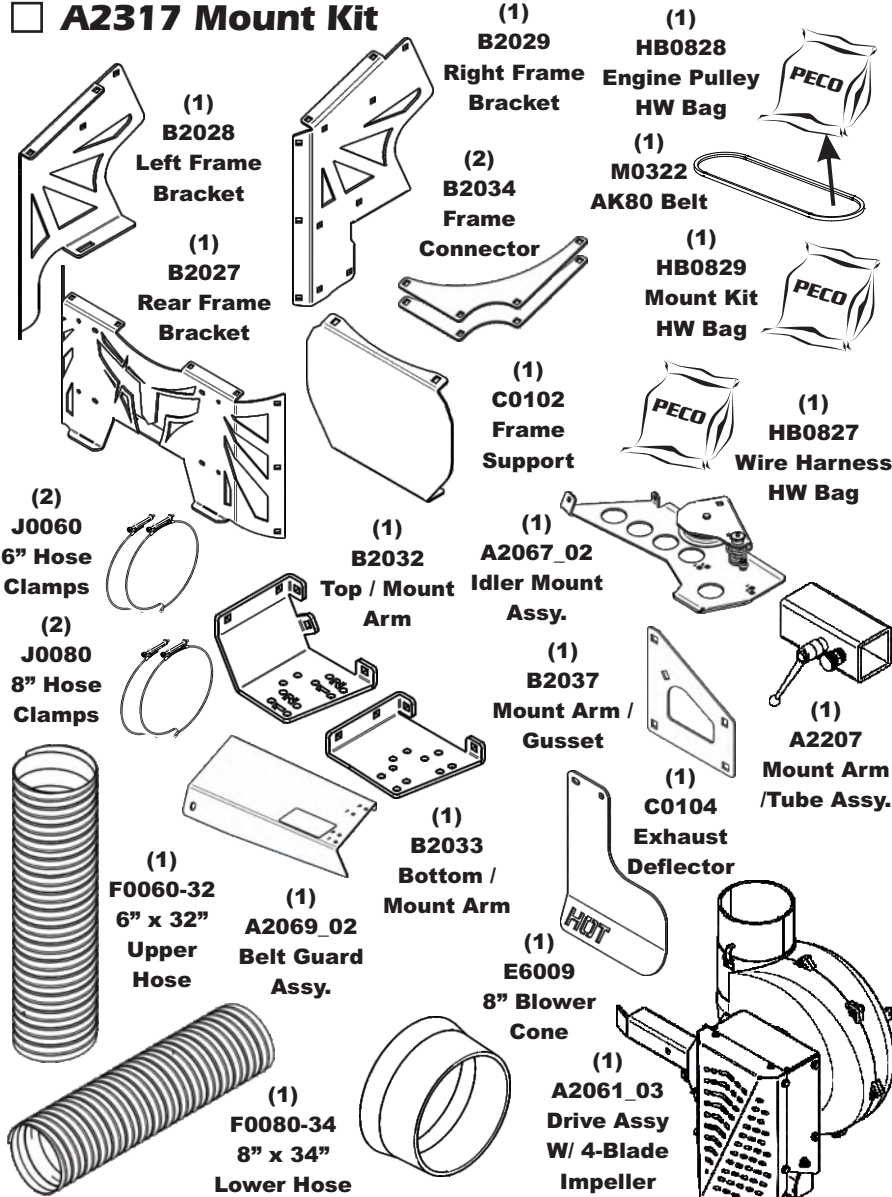
Revision #: 1 PTO-X 1.5 - 6/24/24 BS

Fits Year(s): 2018 & Newer

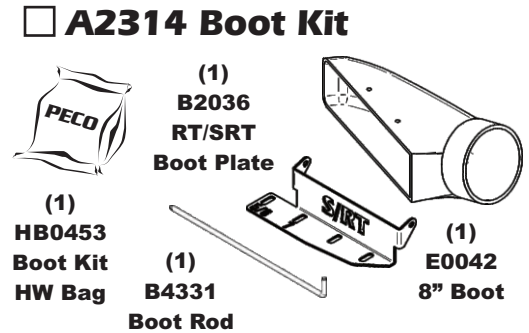
A2311 Vac Kit



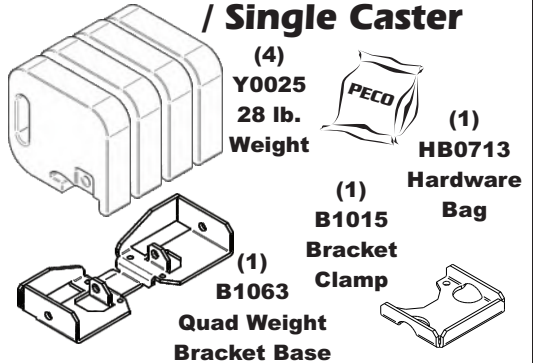
A2317 Mount Kit



A2314 Boot Kit



A2162 Quad Weight Kit / Single Caster



A2121 Dual Weight Kit / Single Caster

