



Unit Model #: 5920EB

Mower:

Owner's Manual: Q0598

Mower Type:

Deck Size:

Vac Type: X20 Trailer Vac

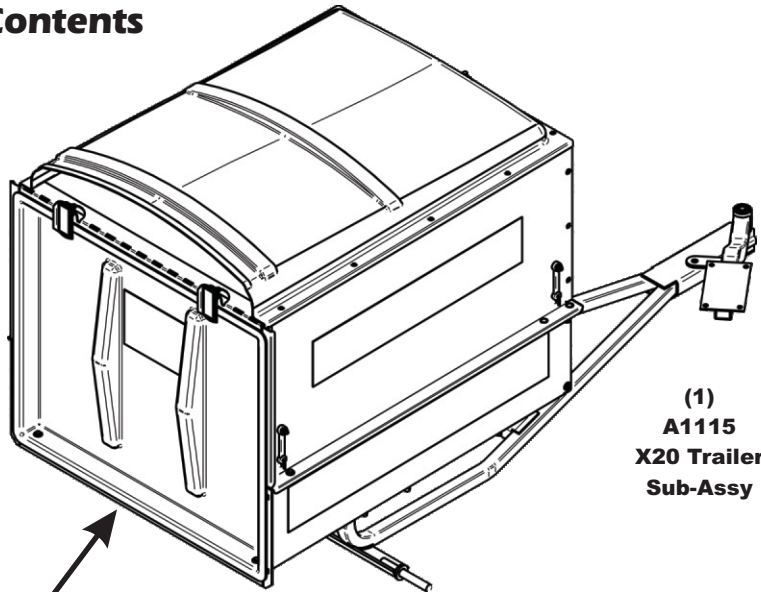
Deck Type:

Drive Type: E-Drive

Revision #:

Fits Year(s):

Crate Contents



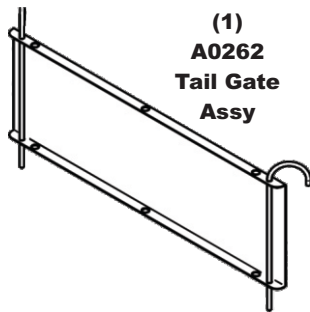
(1)
**A1115
X20 Trailer
Sub-Assy**

**The contents below are placed
inside of the X20 Trailer Sub-Assy**

(1)
**F0070-66
7" x 66"
Lower Hose**



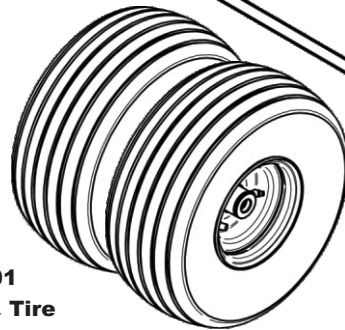
(1)
**A0262
Tail Gate
Assy**



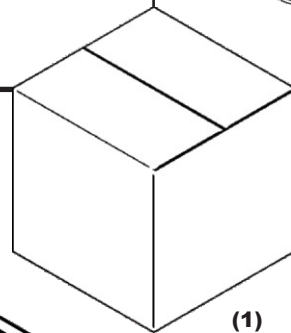
(1)
**F0060-60
6" x 60"
Upper Hose**



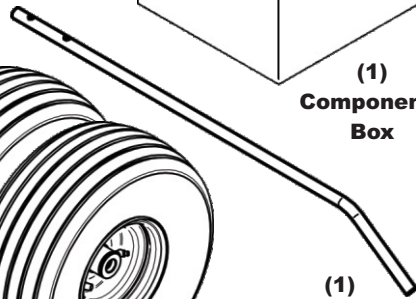
(2)
**H5001
Wheel & Tire**



(1)
**Components
Box**



(1)
**B3492
Dump
Handle**



Components Box Contents

(2)
**J0060
6" Hose
Clamps**



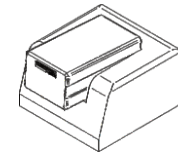
(1)
**E6004
7" Blower
Cone**



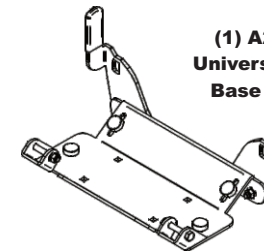
(2)
**J0070
7" Hose
Clamps**



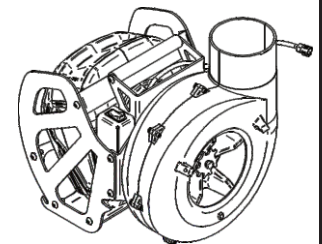
(1) A2434
**E-Drive
Batteries (2)
& Charger Kit**



(1) A2380
**Universal Mnt
Base Assy**



(1) A2433
E Drive Assy



(1)
**HB0883
X20_X30 Trailer
Hardware Bag**

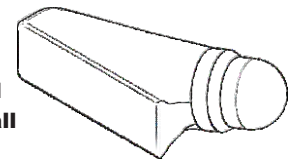


A0121 Small Universal Boot Kit

(1)
**A0849
Boot Kit
HW Bag**



(1)
**V1018
Universal
Boot / Small**



A0137 Large Universal Boot Kit

(1)
**A0856
Boot Kit
HW Bag**



(1)
**V1049
Universal
Boot / Large**

