



Unit Model #: 5920

Mower:

Owner's Manual: Q0547

Mower Type:

Deck Size:

Vac Type: X20 Trailer Vac

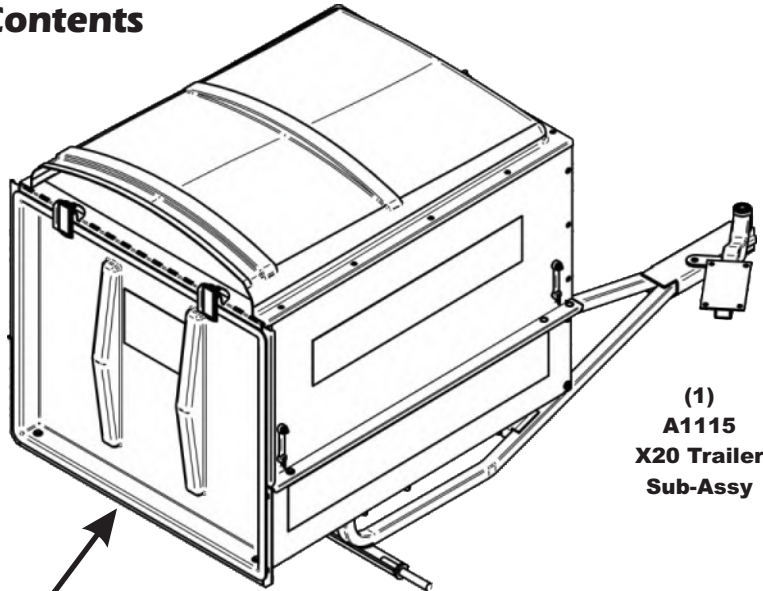
Deck Type:

Drive Type: 6.5HP Briggs & Stratton Vanguard

Revision #: 3 - Updated HW Bag - BS

Fits Year(s): 2013 & Newer

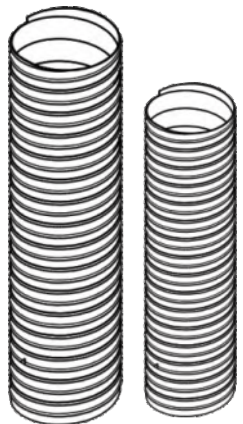
Crate Contents



(1)
A1115
X20 Trailer
Sub-Assy

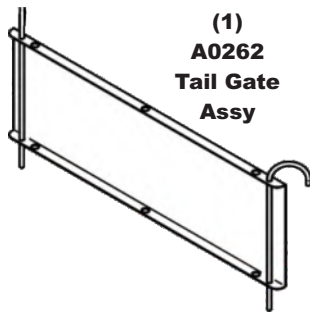
The contents below are placed inside of the X20 Trailer Sub-Assy

(1)
F0070-66
7" x 66"
Lower Hose

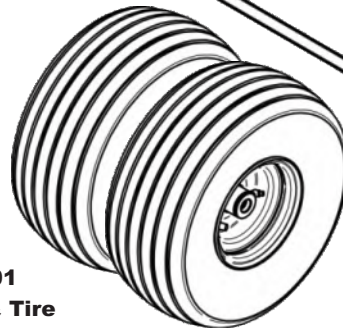


(1)
F0060-60
6" x 60"
Upper Hose

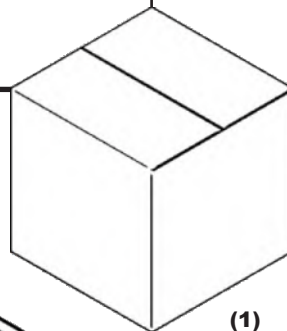
(1)
A0262
Tail Gate
Assy



(2)
H5001
Wheel & Tire



(1)
Components
Box



Components Box Contents

(2)
J0060
6" Hose
Clamps



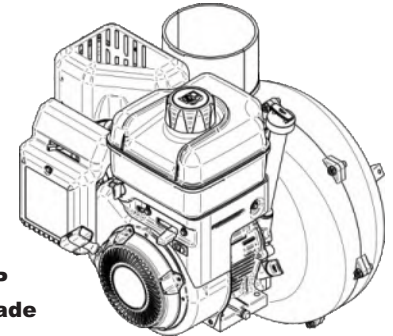
(1)
E6004
7" Blower
Cone



(2)
J0070
7" Hose
Clamps



(1)
A639
B&S 6.5HP
Assy w/ 4-Blade
Impeller



(1)
HB0797
X20/X30 Trailer
Hardware
Bag

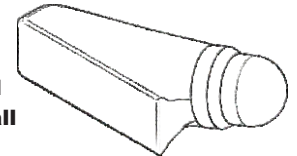


A0121 Small Universal Boot Kit

(1)
A0849
Boot Kit
HW Bag



(1)
V1018
Universal
Boot / Small

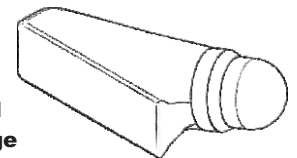


A0137 Large Universal Boot Kit

(1)
A0856
Boot Kit
HW Bag



(1)
V1049
Universal
Boot / Large

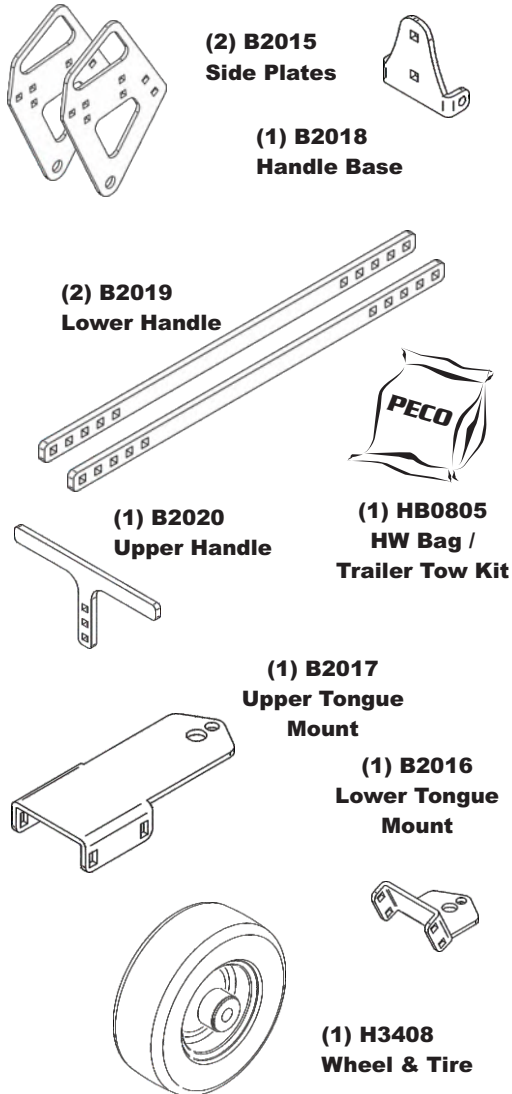




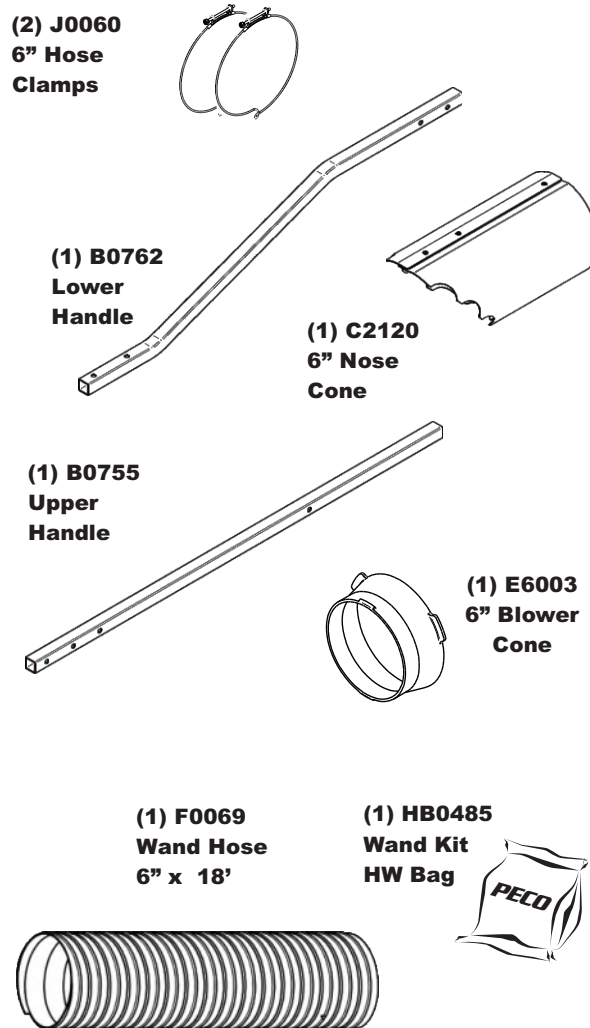
Unit Model #: 5920

Additional Options:

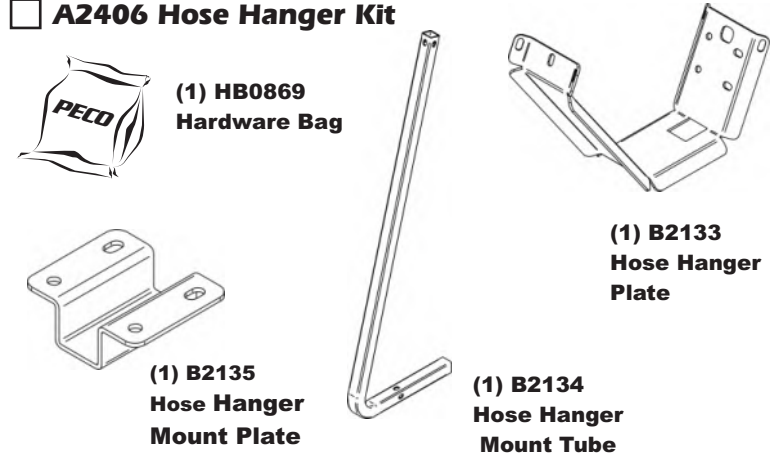
A2276 Trailer Tow Kit



A1858 Wand Kit / Small



A2406 Hose Hanger Kit



A2478 Trailer Stand Kit

