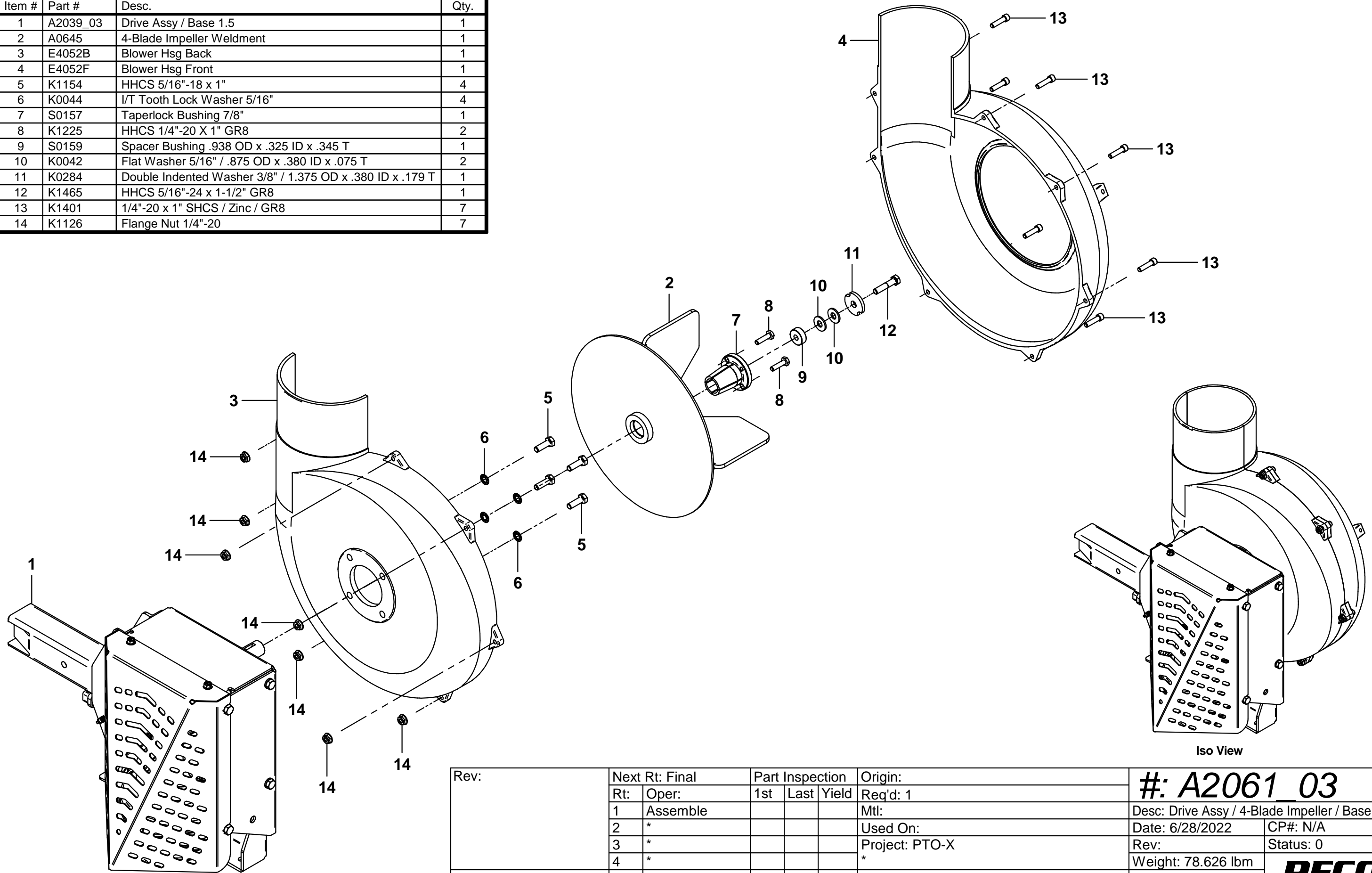


Item #	Part #	Desc.	Qty.
1	A2039_03	Drive Assy / Base 1.5	1
2	A0645	4-Blade Impeller Weldment	1
3	E4052B	Blower Hsg Back	1
4	E4052F	Blower Hsg Front	1
5	K1154	HHCS 5/16"-18 x 1"	4
6	K0044	I/T Tooth Lock Washer 5/16"	4
7	S0157	Taperlock Bushing 7/8"	1
8	K1225	HHCS 1/4"-20 X 1" GR8	2
9	S0159	Spacer Bushing .938 OD x .325 ID x .345 T	1
10	K0042	Flat Washer 5/16" / .875 OD x .380 ID x .075 T	2
11	K0284	Double Indented Washer 3/8" / 1.375 OD x .380 ID x .179 T	1
12	K1465	HHCS 5/16"-24 x 1-1/2" GR8	1
13	K1401	1/4"-20 x 1" SHCS / Zinc / GR8	7
14	K1126	Flange Nut 1/4"-20	7



Rev:	Next Rt: Final	Part Inspection	Origin:	#: A2061_03	
	Rt: Oper:	1st Last Yield	Req'd: 1		
	1 Assemble			Mtl:	Desc: Drive Assy / 4-Blade Impeller / Base 1.5
	2 *			Used On:	Date: 6/28/2022 CP#: N/A
	3 *			Project: PTO-X	Rev: Status: 0
	4 *			*	Weight: 78.626 lbm
Loc:	5 *		Units Inch / Tolerance Unless Otherwise Specified	Drawn By: Xengkeng	PECO Arden, NC
Sheet 1 of 1	6 *		Angles ±0.5° / 1 PI ±0.03 / 2 PI ±0.015 / 3 PI ±0.005	Appr By:	